

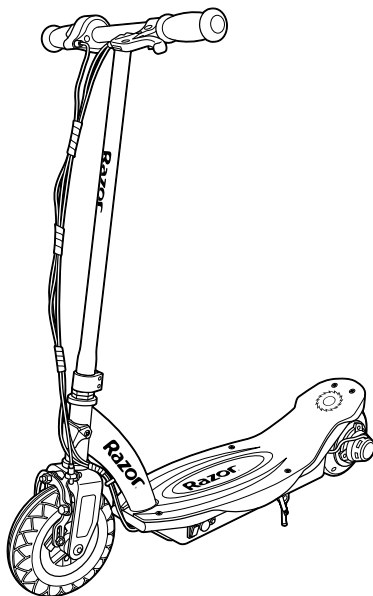


- EN** Read and understand this guide before using product.  
**FR** Lire et assimiler ce manuel avant d'utiliser le produit.  
**ES** Es imprescindible leer y comprender esta guía antes de usar el producto.  
**DE** Lesen Sie diesen Leitfaden vor Benutzung des Produktes aufmerksam.  
**IT** Leggere e comprendere tutti i punti del presente manuale prima di utilizzare questo prodotto.  
**NL** Lees deze instructies goed door voordat je het product gaat gebruiken.  
**PT** Leia e compreenda este guia antes de utilizar o produto.  
**PL** Przed użyciem produktu należy przeczytać ze zrozumieniem niniejszą instrukcję.  
**HU** A termék használatá elótt olvasd el és értsd meg ezt a használati útmutatót.  
**RU** Необходимо прочесть и понять эту инструкцию перед использованием продукции.

- SV** Läs och förstå denna bruksanvisning innan du använder produkten.  
**NO** Les og forstå denne veiledningen før du bruker dette produktet.  
**DA** Læs og forstå hele denne vejledning før du lader nogen bruge produktet.  
**FI** Lue nämä ohjeet huolellisesti ennen tuotteen käyttöönottoa.  
**RO** Consultați acest ghid înainte de a utiliza produsul.  
**SK** Pre použitím tohoto výrobku si prečítajte a pochopte tento návod.  
**CS** Před použitím tohoto výrobku si řádně prostudujte návod k použití.  
**BG** Прочетете и разберете това ръководство преди да използвате продукта.  
**TR** Ürünü kullanmadan önce kılavuza okuyup anlayınız.  
**UK** Необхідно прочитати й зрозуміти цю інструкцію перед використанням продукції.  
**JA** 製品をご使用になる前に本説明書をお読みになりよく理解なさってください。  
**KO** 제품을 사용하기 전에 이 안내서를 읽고 이해하십시오.  
**ZH** 請在使用產品之前細心閱讀和瞭解此使用指南。  
**ZH** 使用产品前请阅读并理解本指南。



# Razor®



## Power Core™ E100 ELECTRIC SCOOTER



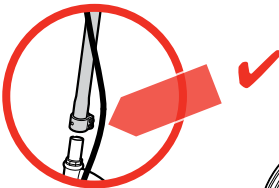
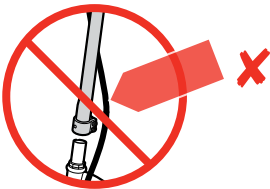
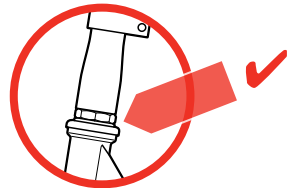
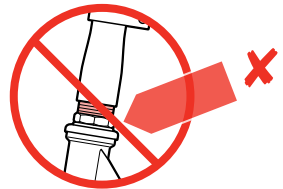
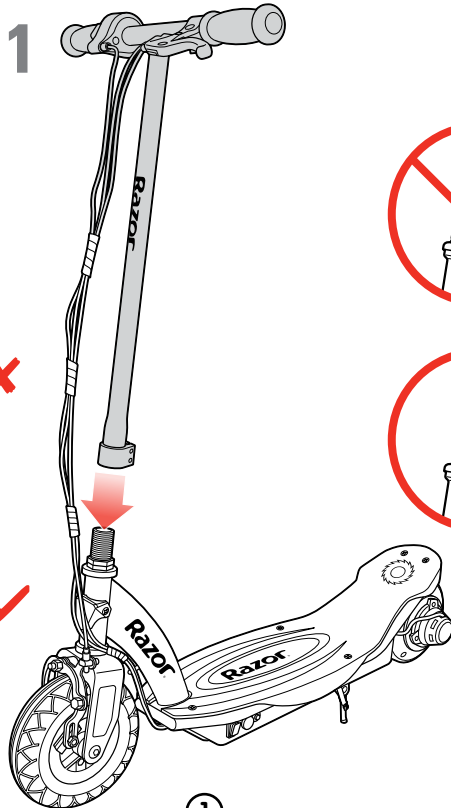
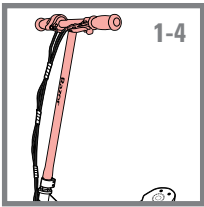
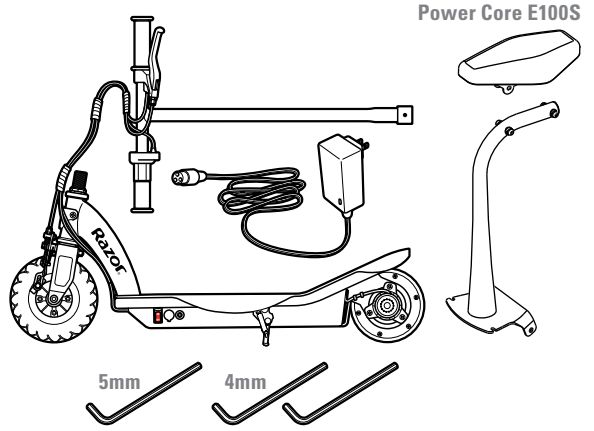
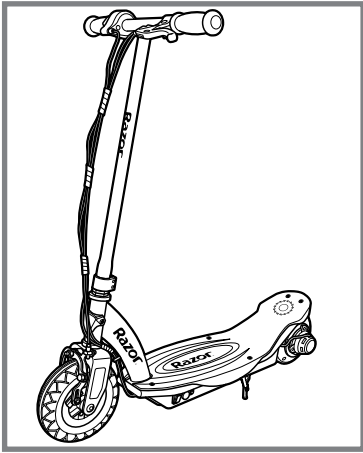
1-19



20-66

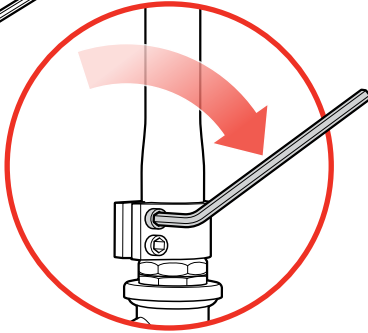
[www.razor.com](http://www.razor.com)



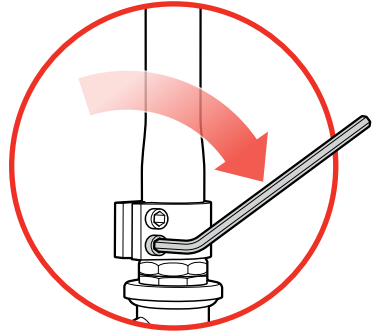


2

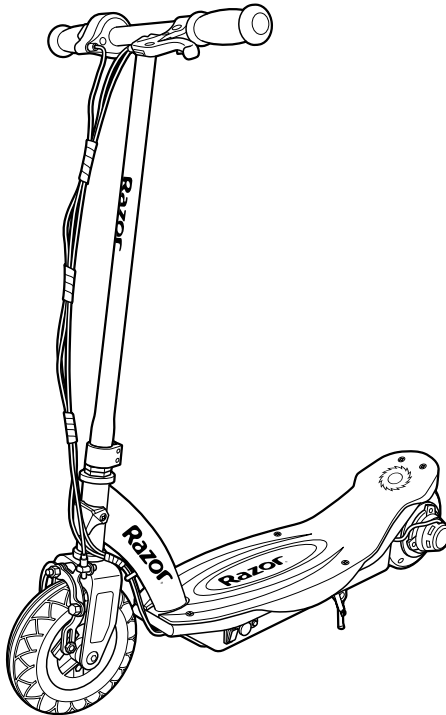
5mm

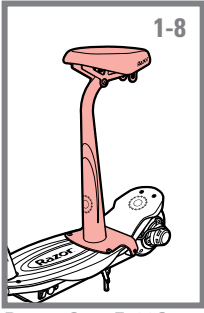


3



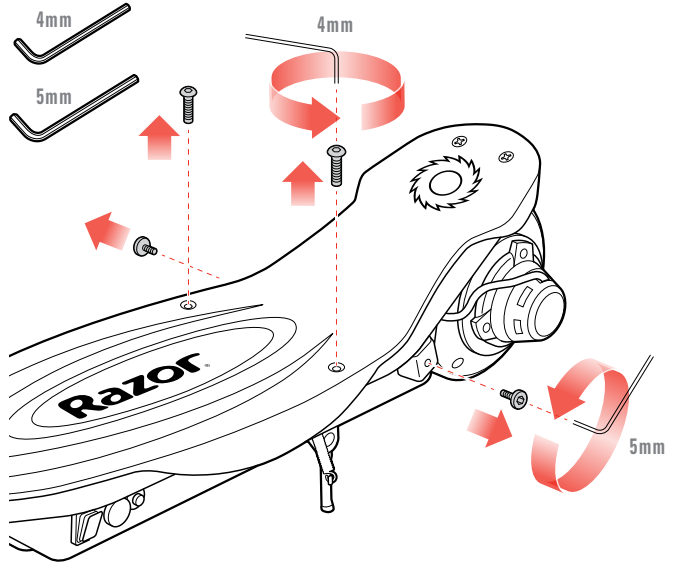
4



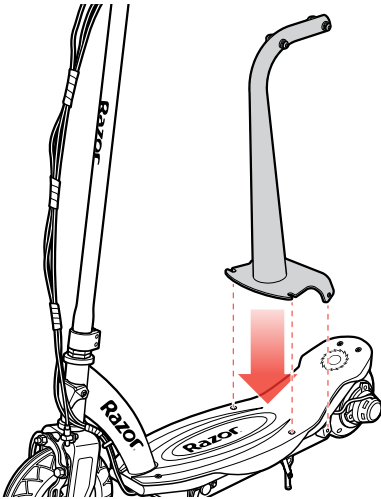


Power Core E100S

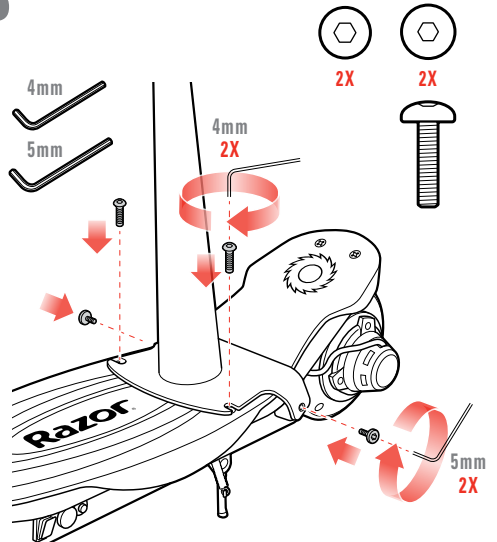
1



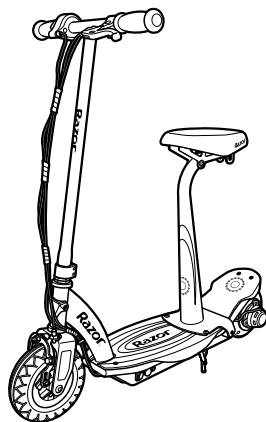
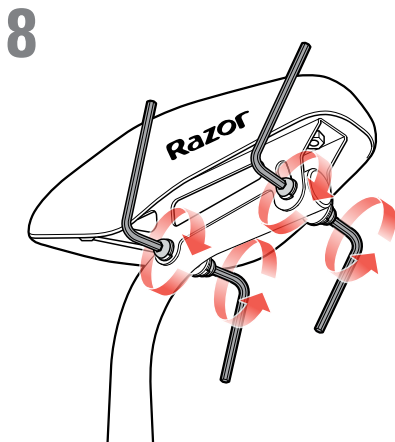
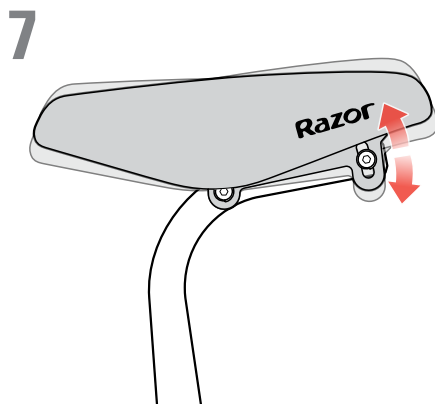
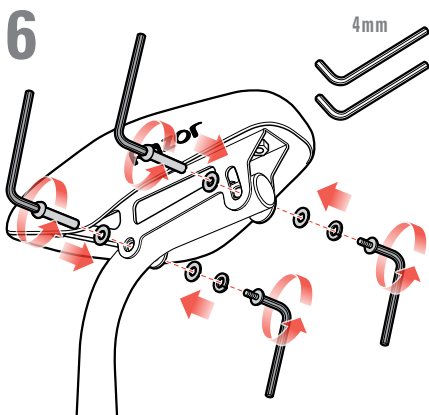
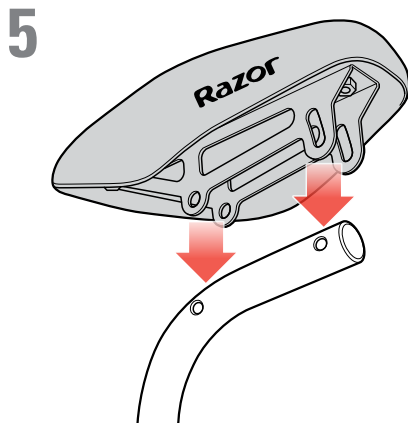
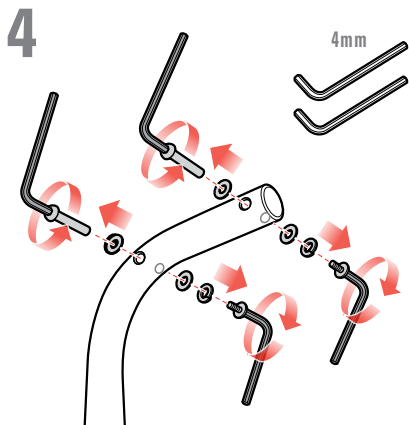
2

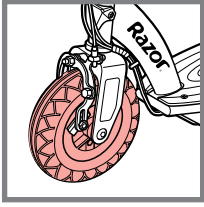


3

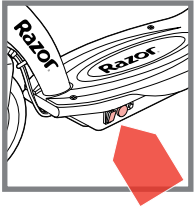
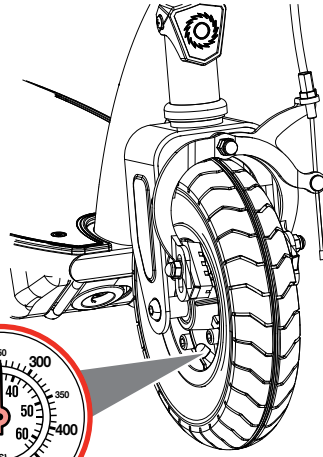
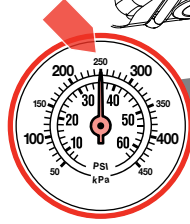


3

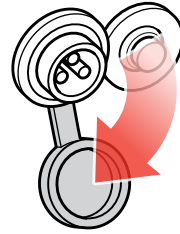




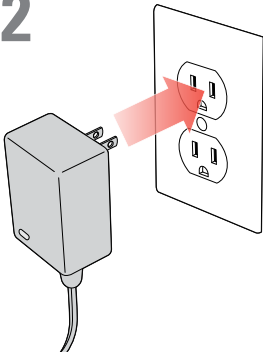
**36 PSI**  
**250 kPa**



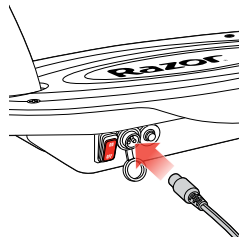
**1**



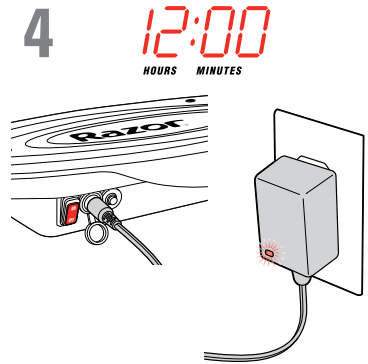
**2**



**3**



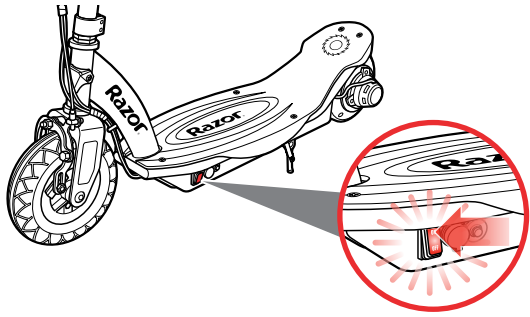
**4**



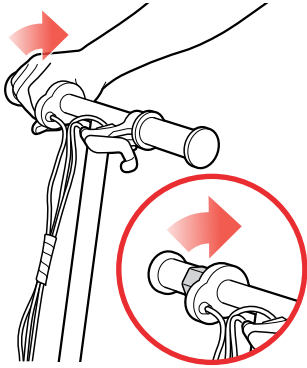
**5**



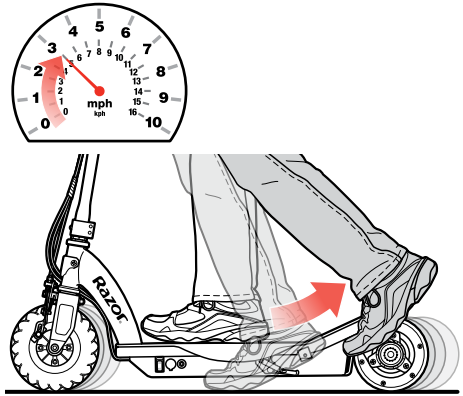
1



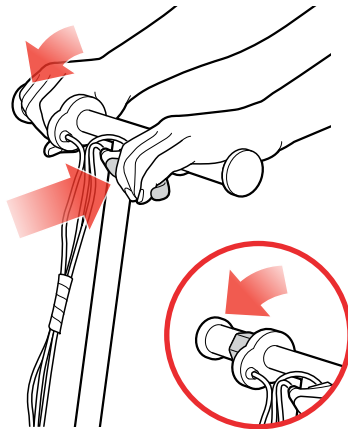
2



3



1





**EN** Tighten brakes at cable.

**FR** Serrer les freins au niveau du câble.

**ES** Ajustar los frenos mediante el cable.

**DE** Bremsen am Kabel festziehen.

**IT** Serrare i freni sul cavo.

**NL** Remmen vaster afstellen bij de kabel.

**PT** Aperte os travões no cabo.

**PL** Zaciśnićcie hamulca po stronie linki.

**HU** Fékek feszesebbre állítása a kábelnél.

**RU** Затяните тормоза на кабеле.

**SV** Dra åt bromsen på kabeln.

**NO** Stram bremsene på kabelen.

**DA** Stram bremsene på kablet.

**FI** Kiristää jarruja kaapelista.

**RO** Strângeți lanțul frânei.

**SK** Uťahnite brzdy na káblí.

**CS** Utáhněte brzdy na kabelu.

**BG** Затегнете спиралките от кабела.

**TR** Kablodaki Frenleri Sıkıştırınız.

**UK** Затягніть гальма на кабелі.

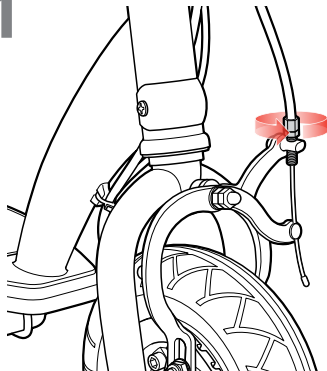
**JA** ブレーキケーブルを締める

**KO** 케이블에 위치한 브레이크들을 조이십시오.

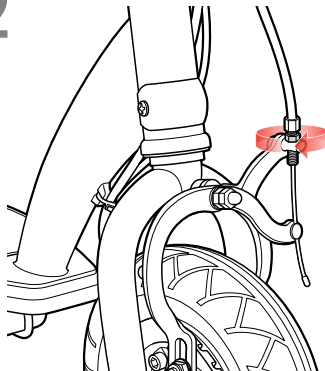
**ZH** 緊固線管處的剎車。

**ZH** 緊固線管處的剎車。

1



2



**EN** Loosen brakes at cable.

**FR** Desserrer les freins au niveau du câble.

**ES** Aflojar los frenos mediante el cable.

**DE** Bremsen am Kabel lösen.

**IT** Allentare i freni sul cavo.

**NL** Remmen lossen afstellen bij de kabel.

**PT** Afrouxe os travões no cabo.

**PL** Poluzowanie hamulca po stronie linki.

**HU** Fékek lazítása a kábelnél.

**RU** Ослабьте тормоза на кабеле.

**SV** Släppa bromsen på kabeln.

**NO** Løse bremsene på kabelen.

**DA** Løsne bremsene på kablet.

**FI** Löysää jarruja kaapelista.

**RO** Slăbiți lanțul frânei.

**SK** Uvoľnite brzdy na káblí.

**CS** Uvolněte brzdy na kabelu.

**BG** Разлабете спиралките от кабела.

**TR** Kablodaki Frenleri Gevşetiniz.

**UK** Послабте гальма на кабелі.

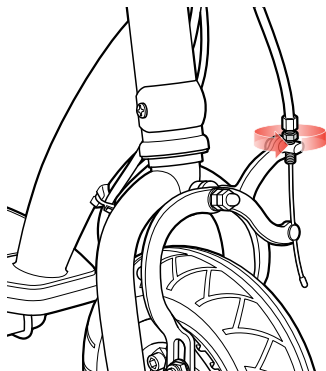
**JA** ブレーキケーブルを緩める

**KO** 케이블에 위치한 브레이크들을 느슨하게 하십시오.

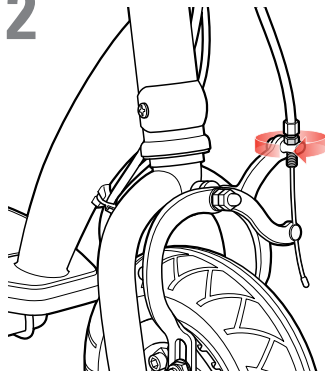
**ZH** 鬆開線管處的剎車。

**ZH** 鬆開線管處的剎車。

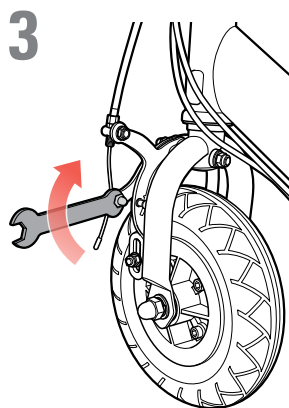
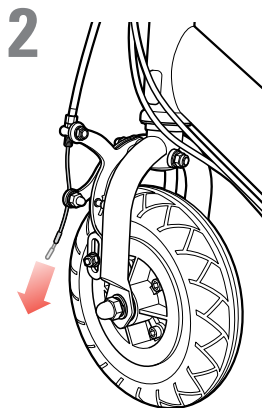
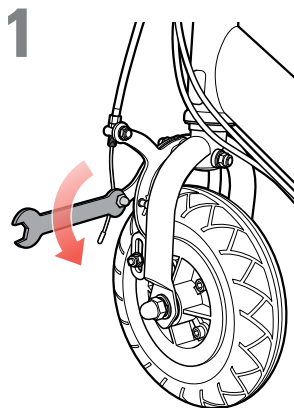
1



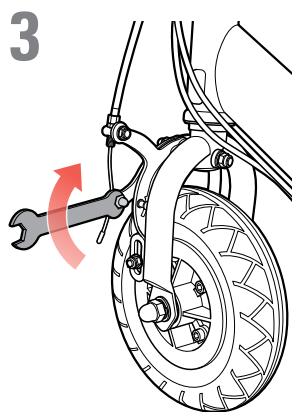
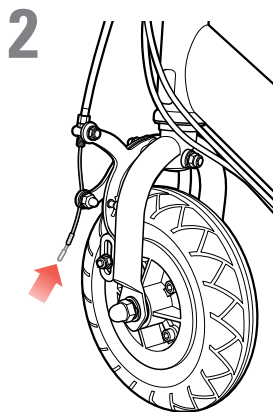
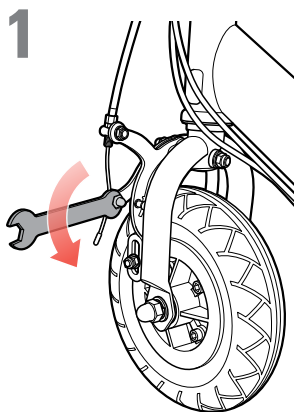
2



- |  |  |   |
|--|--|---|
| <b>EN</b> Tighten brakes at wire.                  | <b>HU</b> Fékek feszesebbre állítása a huzalnál. | <b>CS</b> Utáhnéte brzdy na lanku.          |
| <b>FR</b> Serrer les freins au niveau du fil.      | <b>RU</b> Затяните тормоза на проводе.           | <b>BG</b> Затегнете спирачките от жиловото. |
| <b>ES</b> Ajustar los frenos mediante el alambre.  | <b>SV</b> Dra åt bromsen på vajern.              | <b>TR</b> Teldeki Frenleri Sıkıştırınız.    |
| <b>DE</b> Bremsen am Draht festziehen.             | <b>NO</b> Stram bremsene på vieren.              | <b>UK</b> Затягніть гальма на дроті.        |
| <b>IT</b> Serrare i freni sul filo.                | <b>DA</b> Stram bremsene på wiren.               | <b>JA</b> ブレーキワイヤを締める                       |
| <b>NL</b> Remmen vaster afstellen bij de draad.    | <b>FI</b> Kiristä jarruja vajerista.             | <b>KO</b> 전선에 위치한 브레이크들을 이십시오.              |
| <b>PT</b> Aperte os travões no arame.              | <b>RO</b> Strângeți cablul frânei.               | <b>ZH</b> 紧固线芯处的刹车。                         |
| <b>PL</b> Zaciśnięcie hamulca po stronie przewodu. | <b>SK</b> Utiahnite brzdy na lanku.              | <b>ZH</b> 紧固线芯处的刹车。                         |



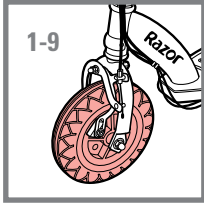
- |  |  |   |
|--|--|---|
| <b>EN</b> Loosen brakes at wire.                   | <b>HU</b> Fékek lazítása a huzalnál.   | <b>CS</b> Uvolníte brzdy na lanku.          |
| <b>FR</b> Desserrer les freins au niveau du fil.   | <b>RU</b> Ослабьте тормоза на проводе. | <b>BG</b> Разлабете спирачките от жиловото. |
| <b>ES</b> Aflojar los frenos mediante el alambre.  | <b>SV</b> Lossa bromsen på vajern.     | <b>TR</b> Teldeki Frenleri Gevşetiniz.      |
| <b>DE</b> Bremsen am Draht lösen.                  | <b>NO</b> Løse bremsene på vieren.     | <b>UK</b> Послабте гальма на дроті.         |
| <b>IT</b> Allentare i freni sul filo.              | <b>DA</b> Løn bremsene på wiren.       | <b>JA</b> ブレーキワイヤを緩める                       |
| <b>NL</b> Remmen lossen afstellen bij de draad.    | <b>FI</b> Löysää jarruja vajerista.    | <b>KO</b> 전선에 위치한 브레이크들을 느슨하게 하십시오.         |
| <b>PT</b> Afrouxe os travões no arame.             | <b>RO</b> Slăbiți cablul frânei.       | <b>ZH</b> 鬆開線芯處的剎車。                         |
| <b>PL</b> Poluzowanie hamulca po stronie przewodu. | <b>SK</b> Uvoľníte brzdy na lanku.     | <b>ZH</b> 松开线芯处的刹车。                         |



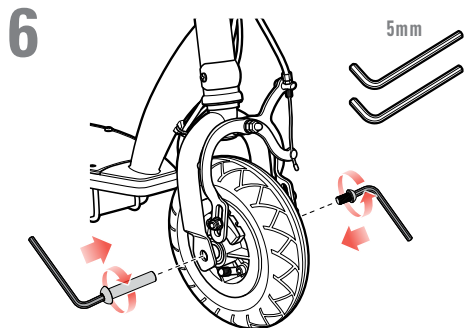
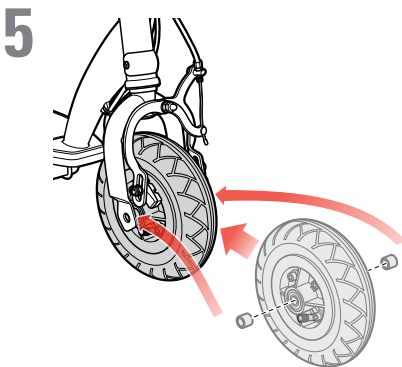
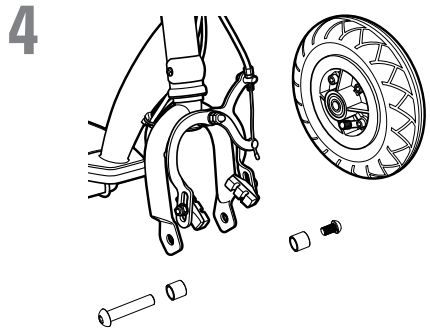
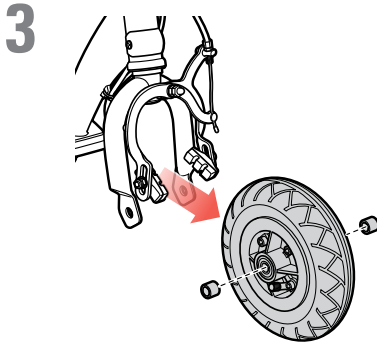
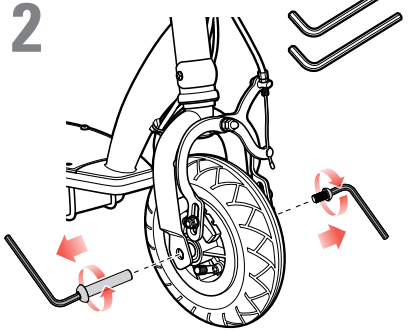
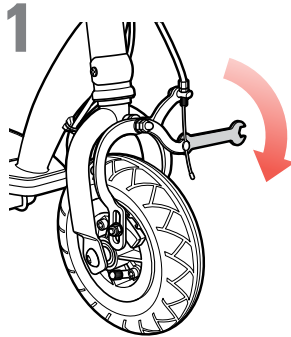
- EN** Front wheel replacement
- FR** Remplacement de la roue avant
- ES** Cambio de la llanta delantera
- DE** Vorderrad ersetzen
- IT** Sostituire la ruota anteriore
- NL** Voorwiel vervangen
- PT** Substituir a roda da frente
- PL** Wymiana przedniego koła

- HU** Első kerék cseréje
- RU** Замена переднего колеса
- SV** Byte av framhjulet
- NO** Skifte av forhjulet
- DA** Udskiiftning af forhjulet
- FI** Etupyörän vaihtaminen
- RO** Înlocuirea roții din față
- SK** Výmena predného kolesa

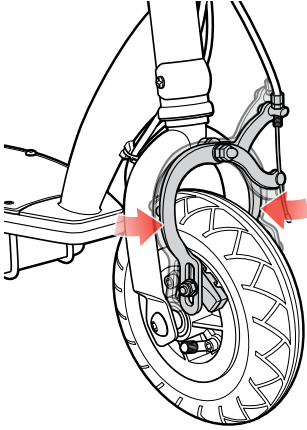
- CS** Výměna předního kola
- BG** Смяна на предното колело
- TR** Ön tekerleğin değiştirilmesi
- UK** Заміна переднього колеса
- JA** フロントタイヤの交換
- KO** 앞바퀴 교체
- ZH** 更換前輪
- ZH** 前輪更換



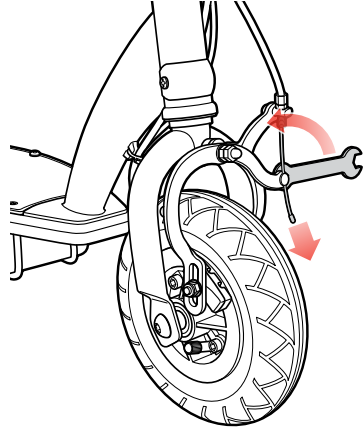
1-9



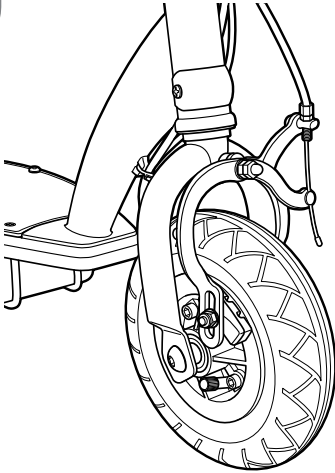
7



8



9



**EN** Rear Wheel/Hub Motor/Battery Replacement

**FR** Remplacement de roue arrière/ de moteur d'essieu/de batterie

**ES** Sustitución de batería/motor de cubo de rueda/rueda trasera

**DB** Austausch von Hinterrad/Nabenmotor/Batterie

**IT** Sostituzione ruota posteriore/motore al mozzo/batteria

**NL** Vervanging van achterwiel/naafmotor/accu

**PT** Substituição da roda traseira/motor do cubo/bateria

**PL** Wymiana tylnego koła/silnika piasty/akumulatora

**HU** Hátsó kerék / központi motor / akkumulátor csere

**RU** Замена заднего колеса/двигателя в ступице/аккумулятора

**SV** Byte av bakhjul, navmotor eller batteri

**NO** Skifte av bakhjul, navmotor og batteri

**DA** Udskitning af baghjul, navmotor og batteri

**FI** Takapyyriän/napamoottorin/akun vaihto

**RO** Înlocuirea roții spate/roții electrice/bateriei

**SK** Náhradné zadné koleso/nábojový motor/batéria

**CS** Zadní kolo/pohon v náboji kola/výměna baterie

**BG** Смяна на задна гума/мотор/батерия

**TR** Arka tekerlek/göbek motoru/akü deęistirme

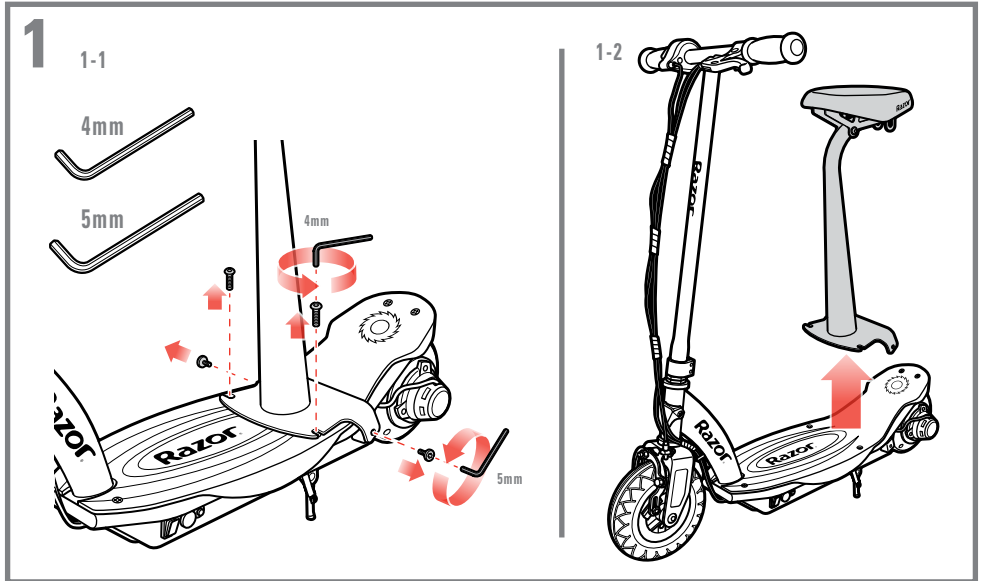
**UK** Замена заднього колеса/двигуна в маточині/аккумулятора

**JA** リアタイヤ / ハブモーター / バッテリー交換

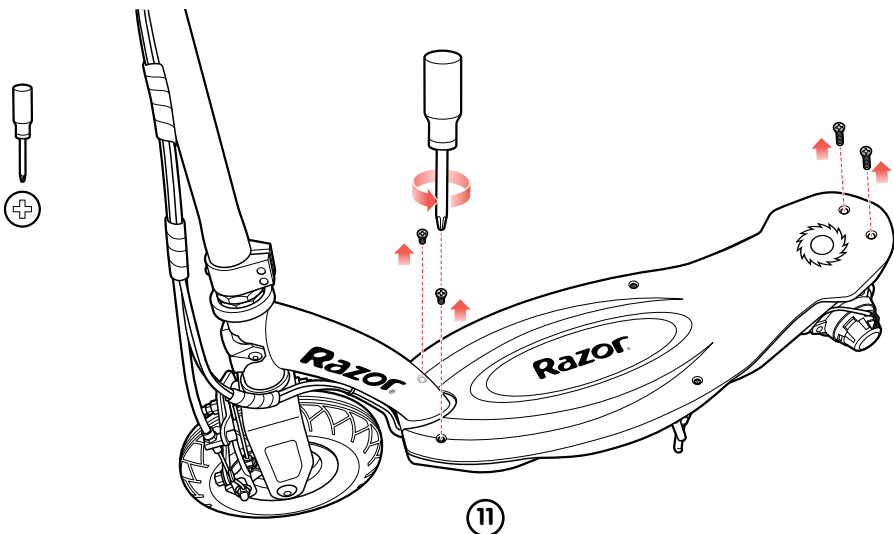
**KO** 뒷바퀴/허브 모터/배터리 교체

**ZH** 更換後輪/輪轂電機/電池

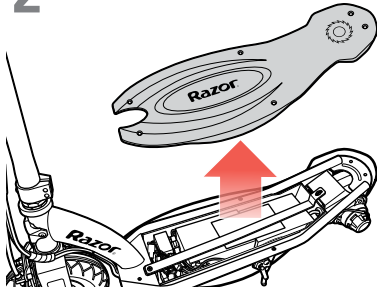
**ZH** 后轮/轮毂电机/电池更换



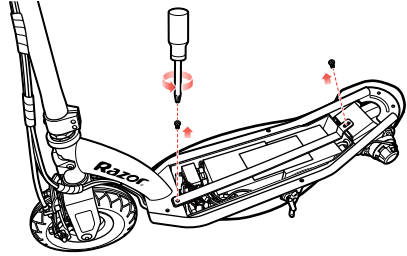
## Power Core E100S



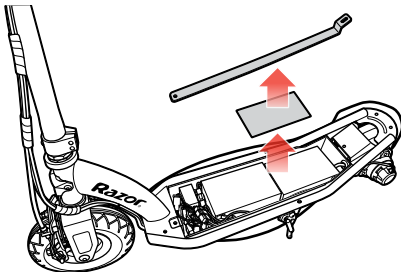
2



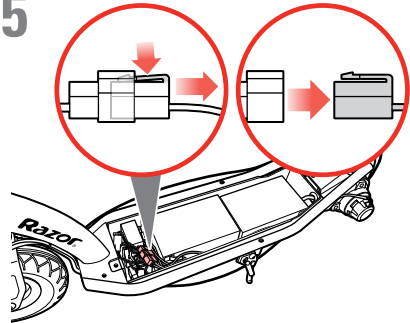
3



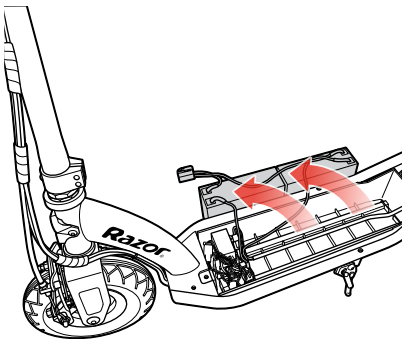
4



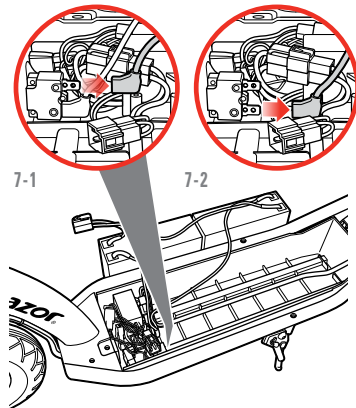
5



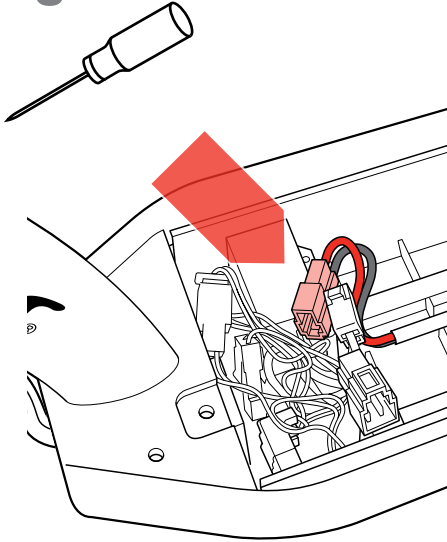
6



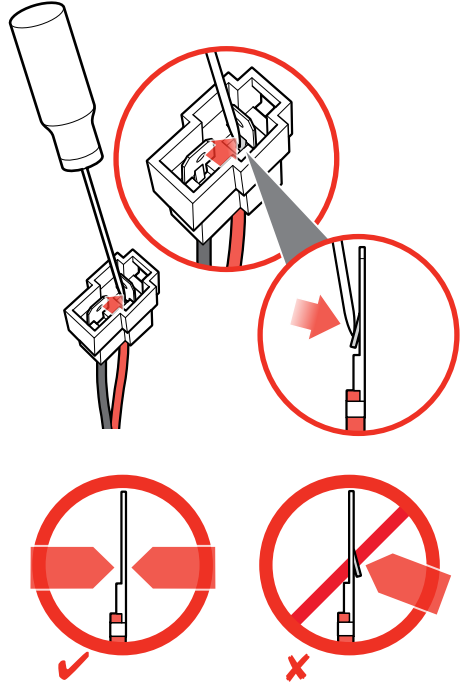
7



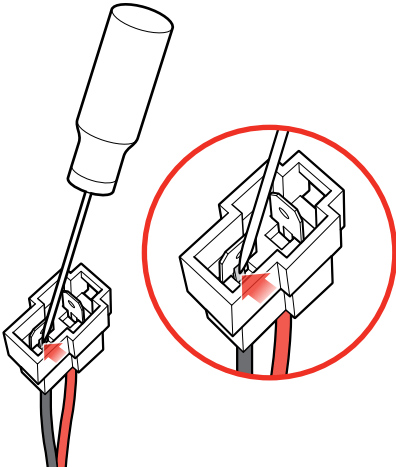
8



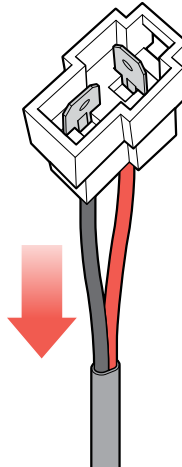
8-1



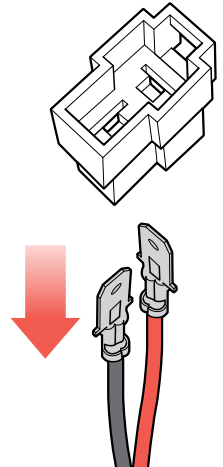
8-2



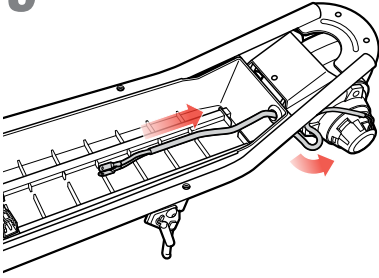
8-3



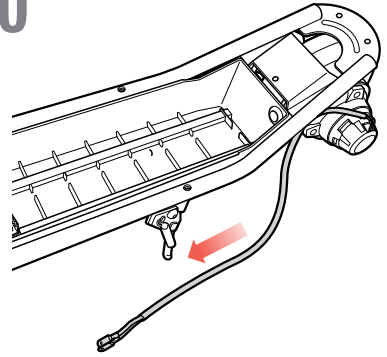
8-4



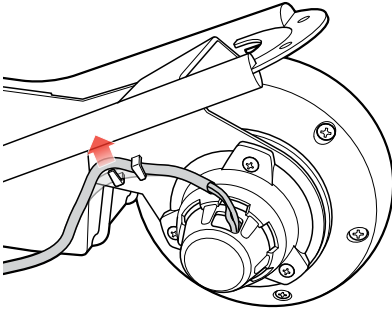
9



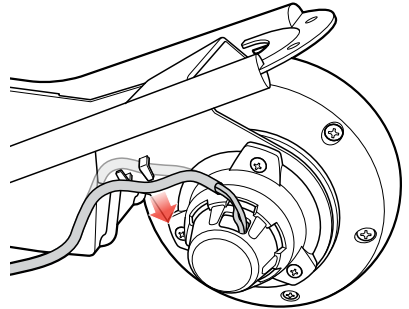
10



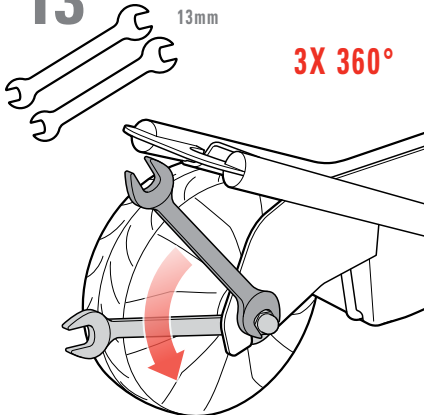
11



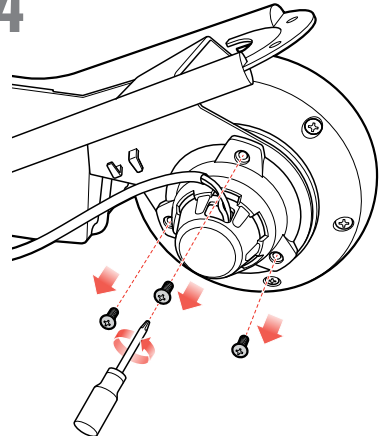
12



13



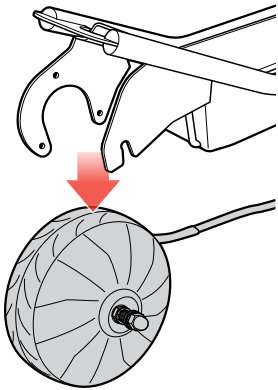
14



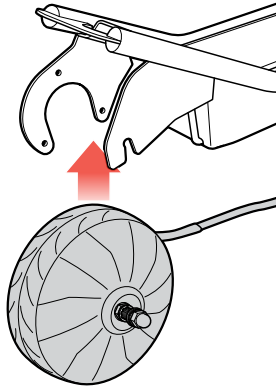


# 15

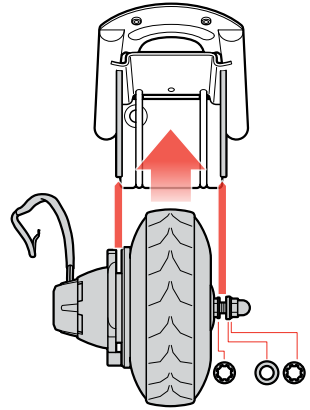
15-1



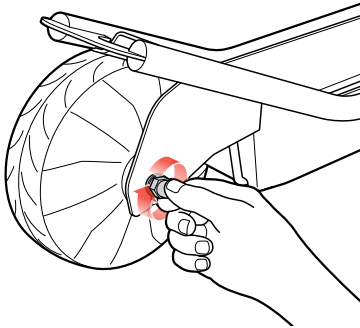
15-2



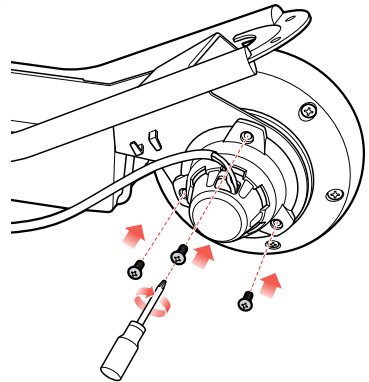
15-3



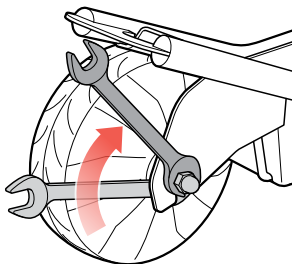
# 16



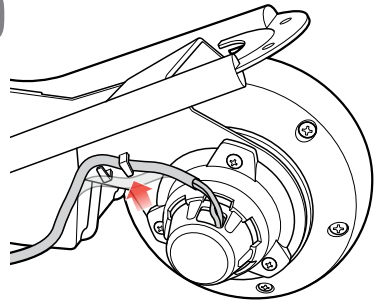
# 17



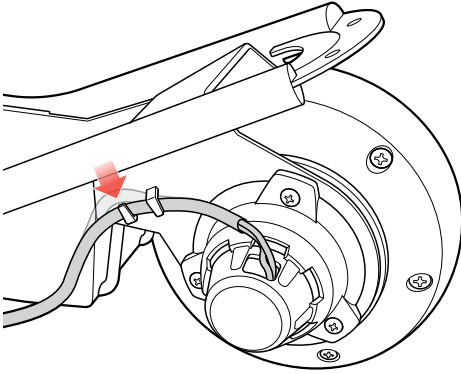
# 18



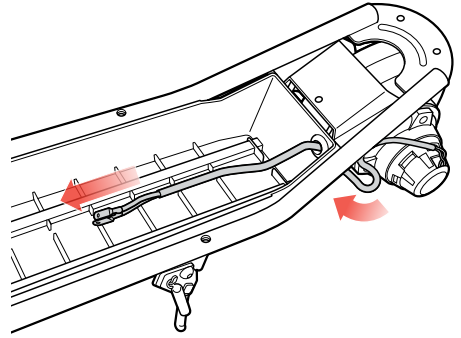
# 19



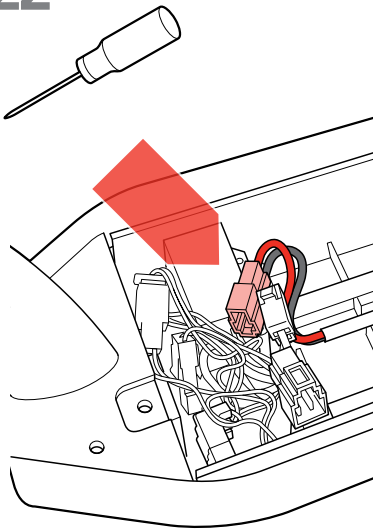
20



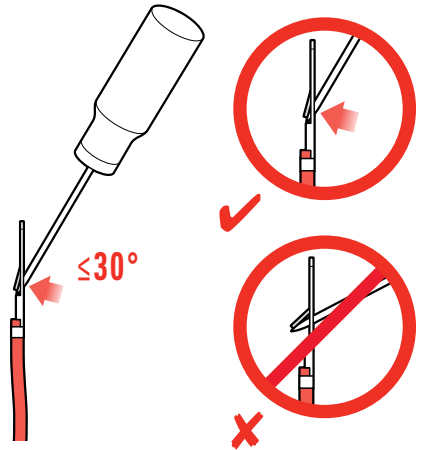
21



22

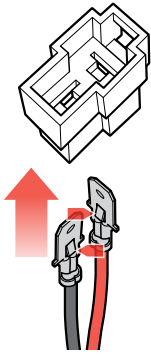


23

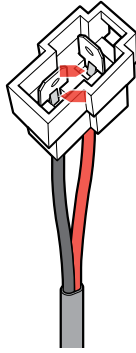


# 24

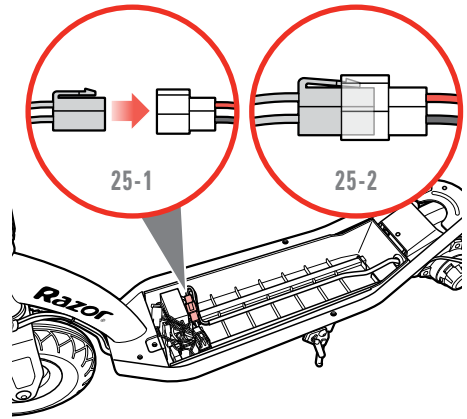
24-1



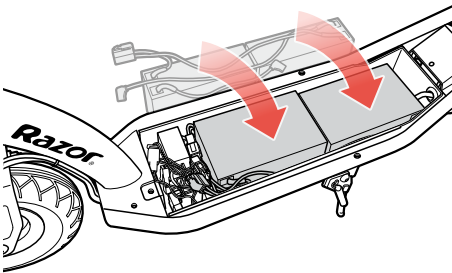
24-2



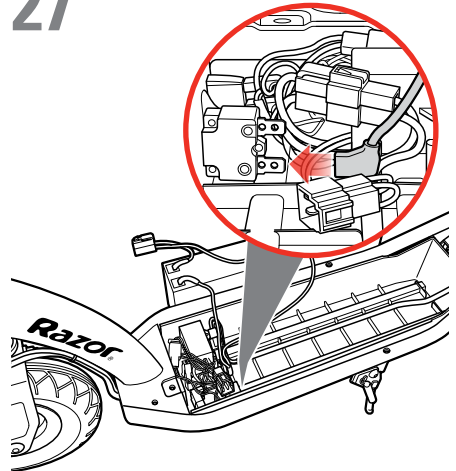
# 25



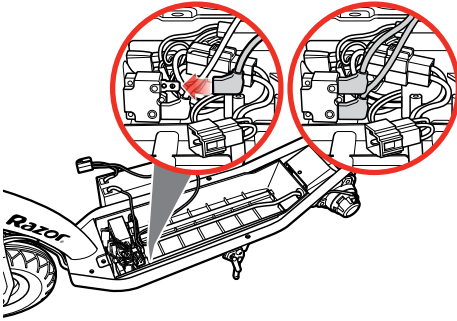
# 26



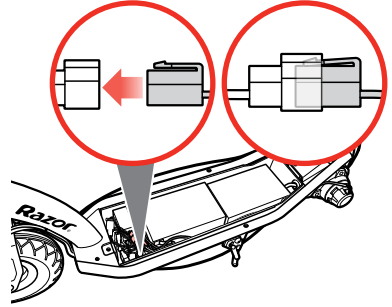
# 27



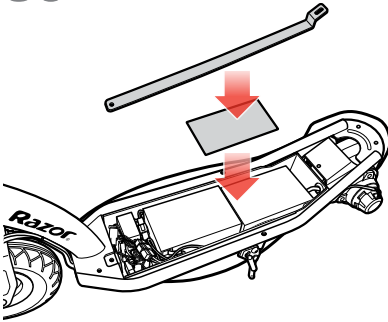
28



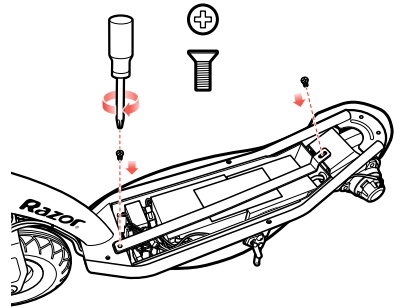
29



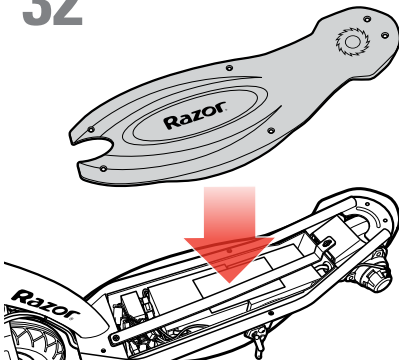
30



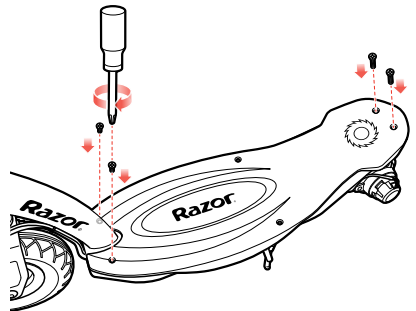
31



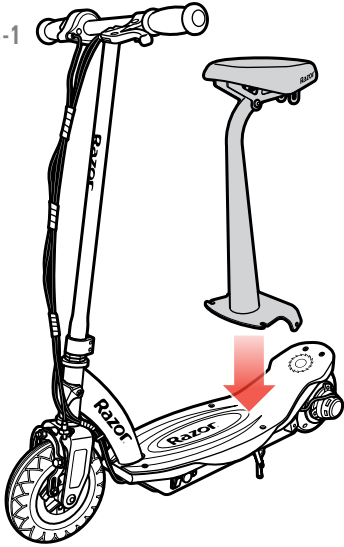
32



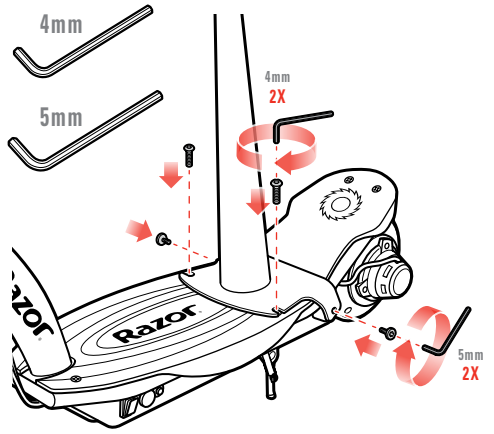
33



33-1



33-2



Power Core E100S



**SAFETY PRECAUTIONS during operation and maintenance**  
**Parents/adult supervisors read this page first**

**PARENTS/SUPERVISING ADULTS MUST TEACH CHILDREN HOW TO SAFELY RIDE THIS SCOOTER. If the rider fails to use common sense and heed these warnings, there is an increased risk of damage, serious injury or possibly death.**

**Riding an Electric Scooter Presents Potential Risks.**

- Like any riding product, an electric scooter can be hazardous (for example, falling off or riding into a hazardous situation). Electric scooters are, of course, meant to move and it is therefore possible for a rider to lose control or otherwise get into dangerous situations.
- Both children and adults responsible for supervising them must recognize that if such things occur, a rider can be seriously injured or possibly die, even when using safety equipment and taking other safety precautions.

**USE SCOOTERS AT YOUR OWN RISK AND USE COMMON SENSE.**

**Parental and Adult Responsibility and Supervision are Necessary**

Because scooters can be hazardous -- and not every product is appropriate for every age or size of child -- different age recommendations are found within this category of product which are intended to reflect the nature of the hazards and the expected mental or physical ability, or both, of a child to cope with the hazards. Parents and supervising adults need to select riding products appropriate for the age of the child who will ride the electric scooter and take care to prevent children who may be too immature or inexperienced for a product's characteristics to endanger themselves around it.

- The recommended rider age for the Razor Power Core E100 electric scooter is 8 years of age and older. Any rider, even 8 or older, unable to fit comfortably on the scooter should not attempt to ride it. A parent's decision to allow his or her child to ride this product should be based on the child's maturity, skill and ability to follow rules. Keep this product away from small children and remember that it is intended for use only by persons who are, at a minimum, completely comfortable and competent while operating the scooter.
- Maximum rider weight 54 kg.
- Persons with any mental or physical conditions that may make them susceptible to injury, impair their physical dexterity or mental capabilities to recognize, understand, and follow safety instructions and to be able to understand the hazards inherent in scooter use, should not use or be permitted to use products inappropriate for their abilities. Persons with heart conditions, head, back or neck ailments (or prior surgeries to these areas of the body), or pregnant women, should be cautioned not to operate such products.

**Check Scooter Before Use – Maintain After Use**

- Before use, confirm that any and all guards or other covers are in place and in serviceable condition, that the brake is functioning properly and that tire(s) have sufficient tread remaining. Make sure that the front tire is inflated to the correct PSI and that the rear wheel has no flat areas or excessive wear.
- After use, maintain and repair scooter in accordance with the manufacturer's specifications in this manual. Use only the manufacturer's authorized replacement parts. Do not modify this scooter from the manufacturer's original design and configuration.

**Acceptable Riding Practices and Conditions – Parents/adults should discuss these rules with their children.**  
**Protective equipment should be worn. Not to be used in traffic.**

**Where to Ride the Scooter**

- Always check and obey any local laws or regulations which may affect the locations where the electric scooter may be used. Keep safely away from autos and motor vehicle traffic at all times and only use where allowed and with caution.
- Ride defensively. Be careful to avoid pedestrians, skaters, skateboards, scooters, bikes, children or animals who may enter your path. Respect the rights and property of others.
- The electric scooter is intended for use on flat, dry surfaces such as pavement or level ground, without loose debris such as sand, leaves, rocks or gravel.
- Wet, slick, bumpy, uneven or rough surfaces may lessen traction and increase the risk of accidents.
- Do not ride your scooter in mud, ice, puddles or water.
- Watch out for potential obstacles that could catch your wheel or force you to swerve suddenly or lose control.
- Avoid sharp bumps, drainage grates, and sudden surface changes.
- Do not ride your scooter in wet or icy weather and never immerse the scooter in water, as the electrical and drive components could be damaged by water or create other possibly unsafe conditions.
- Never risk damaging surfaces such as carpet or flooring by use of an electric scooter indoors.
- Never use near steps or swimming pools.

**How to Ride the Scooter**

- NOTE: This electric scooter must be moving at 5 km/h (3 mph) before the motor will engage.
- Do not use the speed control (twist-grip throttle) on the hand grip unless you are on the scooter and in a safe, outdoor environment suitable for riding.
- Hold the handlebars at all times while you are riding.
- Do not touch the brakes or hub motor on your scooter when in use or immediately after riding as these parts can become very hot.
- Avoid high speeds, as you might have on downhill rides, where you might lose control.
- Do not ride at night or when visibility is limited.
- Do not attempt or do stunts or tricks on your electric scooter. The scooter is not strong enough to withstand misuse and abuse such as jumping, curb grinding or any other type of stunts. Racing, stunt riding, or other maneuvers also increase the risk of loss of control, or may cause uncontrolled rider actions or reactions. All of these could result in serious injury or possibly death.
- Never allow more than one person at a time ride the scooter.
- Do not allow hands, feet, hair, body parts, clothing, or similar articles to come in contact with moving parts or wheels.
- Never use headphones or a cell phone when riding.
- Never hitch a ride with a vehicle.

**Proper Riding Equipment, Clothes, Shoes**

- Always wear proper protective equipment, such as an approved safety helmet (with chin strap securely buckled), elbow pads and kneepads. A helmet may be legally required by local law or regulation in your area. In addition, a long-sleeved shirt, long pants, and gloves are recommended.
- Always wear athletic shoes (lace-up shoes with rubber soles), never ride barefoot or in sandals, and keep shoelaces tied and away from the wheels, motor and drive system.

**Using the Charger**

- Never modify the electric system. Alteration could cause a fire. Use of the wrong type of battery or charger could cause an explosion.
- BEFORE EACH USE: Charge the battery for AT LEAST 12 hours.
- Turn off after each ride. The battery may be unable to recharge if left "ON" without use.
- Do NOT store in freezing or below freezing temperatures! Freezing temperatures will permanently damage the battery.
- The charger supplied with the electric scooter should be regularly examined for damage to the cord, plug, enclosure and other parts. In the event of such damage, the scooter must not be charged until the charger has been repaired or replaced.
- Use only a charger recommended by Razor.
- The charger is not a toy. Charger should only be operated by an adult.
- Do not operate charger near flammable materials or an open flame.
- Unplug charger and disconnect from scooter when not in use.
- Do not exceed charging time.
- Always disconnect scooter from charger prior to wiping it down or cleaning with a damp cloth.

**Limited Warranty:**

This Limited Warranty is the only warranty for this product. There is no other express or implied warranty.

The manufacturer warranties this product to be free of manufacturing defects for a period of 90 days from date of purchase.

This Limited Warranty will be void if the product is ever:

- used in a manner other than for recreation or transportation;
- modified in any way;
- rented.



**CONTAINS ONE SEALED NON-SPILLABLE LEAD ACID BATTERY.  
BATTERIES MUST BE RECYCLED.**



**PRÉCAUTIONS DE SÉCURITÉ** pendant l'utilisation et la maintenance  
Les parents et les adultes surveillant les enfants doivent tout d'abord lire cette page

**LES PARENTS ET LES ADULTES SURVEILLANT LES ENFANTS DOIVENT LEUR ENSEIGNER COMMENT UTILISER SANS DANGER CETTE TROTINETTE.** Si l'utilisateur ne fait pas usage de bon sens et ne respecte pas ces avertissements, il y a un risque accru de dommages ou de blessures graves, voire mortelles.

**L'utilisation d'une trottinette électrique présente des risques potentiels.**

- Comme tout autre produit mobile, une trottinette électrique peut être dangereuse (par exemple, on peut tomber ou être confronté à une situation dangereuse). Il va de soi que les trottinettes électriques sont conçues pour se déplacer; il est donc possible que l'utilisateur perde la maîtrise ou soit confronté à des situations dangereuses.
- Les enfants et les adultes chargés de les surveiller doivent comprendre que si une telle situation se présente, un utilisateur peut subir des blessures graves, voire mortelles, même s'il utilise l'équipement de sécurité et qu'il respecte les autres précautions de sécurité.

**UTILISER LES TROTINETTES À VOS PROPRES RISQUES ET FAIRE PREUVE DE BON SENS.**

**La responsabilité et la supervision d'un parent et d'un adulte sont nécessaires**

**Parce que les trottinettes peuvent être dangereuses et que tout produit n'est pas approprié aux enfants de tout âge ou de toute taille, il existe différentes recommandations relatives à l'âge dans cette catégorie de produits, qui ont pour but de refléter la nature des dangers et les capacités physiques ou mentales prévues, ou les deux, qu'un enfant possède pour faire face aux dangers. Les parents et les adultes chargés de surveiller les enfants doivent choisir des produits mobiles adaptés à l'âge de l'enfant qui utilisera la trottinette électrique et prendre les précautions afin d'éviter que les enfants trop immatures ou inexpérimentés pour les caractéristiques d'un produit se mettent en danger.**

- **L'âge recommandé pour un utilisateur de la trottinette électrique Razor Power Core E100 est de 8 ans ou plus.. Toute personne, même âgée de 8 ans ou plus, ne se sentant pas à l'aise sur la trottinette ne doit pas essayer de l'utiliser. Les parents doivent décider de permettre ou non à leur enfant d'utiliser ce produit en fonction de sa maturité, de ses capacités et de son aptitude à respecter les consignes. Tenir ce produit hors de portée des enfants en bas âge et se rappeler qu'il est exclusivement destiné à des personnes qui, au minimum, se sentent totalement à l'aise et compétentes pour utiliser la trottinette.**
- **Poids maxi. de l'utilisateur : 54 kg.**
- **Toute personne présentant des problèmes mentaux ou physiques qui l'exposent aux blessures ou qui risquent de nuire à sa dextérité ou à sa capacité mentale de reconnaître, comprendre et suivre les directives de sécurité et à sa capacité de comprendre le danger relatif à l'utilisation d'une trottinette ne doit pas utiliser ou avoir la permission d'utiliser des produits inappropriés à ses capacités. Il faut prévenir les personnes souffrant de maladies cardiaques, de douleurs à la tête, au dos ou au cou (ou ayant subi des chirurgies à ces parties du corps) et les femmes enceintes de ne pas utiliser ces produits.**

**Vérifier la trottinette avant l'utilisation – Effectuer un entretien après l'utilisation**

- Avant l'utilisation, vérifier que tous les carters ou autres couvercles protecteurs sont bien en place et en bon état, que le frein fonctionne correctement, que le pneu avant est bien gonflé et que la bande de roulement n'est pas trop usée. Vérifier que le pneu avant est à la pression correcte et que la roue arrière n'a pas de plats ni d'usure excessive.
- Après l'utilisation, entretenir et réparer la trottinette conformément aux spécifications du fabricant incluses dans le présent guide. Utiliser uniquement les pièces de rechange homologuées par le fabricant. Ne pas modifier la conception et la configuration d'origine de cette trottinette.

**Pratiques et conditions d'utilisation acceptables – Les parents ou les adultes doivent discuter de ces règles avec leurs enfants. Porter un équipement de protection. Ne pas utiliser au sein de la circulation.**

**À quel endroit utiliser la trottinette**

- Toujours vérifier et respecter les lois ou réglementations locales applicables aux endroits où la trottinette électrique peut être utilisée. Maintenir constamment une distance de sécurité avec les véhicules motorisés et utiliser la trottinette avec précaution uniquement aux endroits autorisés.
- Adopter une conduite défensive. Il faut veiller à éviter les piétons, les skaters, les skateboards/planches à roulettes, les trottinettes, les vélos, les enfants ou les animaux qui pourraient couper votre trajectoire. Respecter les droits et la propriété d'autrui.
- La trottinette électrique est conçue pour être utilisée sur un sol plat et sec, comme des trottoirs ou des terrains plats exempts de débris comme du sable, des feuilles, des cailloux ou du gravier.
- Les surfaces humides, glissantes, bosselées, inégales ou rugueuses peuvent réduire l'adhérence et augmenter les risques d'accident.
- Ne pas utiliser trottinette électrique dans la boue, sur la glace, dans les flaques ou l'eau.
- Prendre garde aux obstacles potentiels qui pourraient s'accrocher à la roue, vous forcer à tourner brusquement ou vous faire perdre le contrôle de la trottinette.
- Éviter les bosses, les bouches d'égoût et les changements brusques de surfaces.
- Ne pas conduire la trottinette par temps humide ou en présence de verglas et ne jamais immerger la trottinette dans l'eau, car les éléments électriques et les organes de transmission pourraient être endommagés par l'eau ou créer d'autres conditions potentiellement dangereuses.
- Ne jamais risquer d'endommager des surfaces comme de la moquette ou du revêtement de sol en utilisant une trottinette électrique à l'intérieur.
- Ne jamais utiliser à proximité de marches ou de piscines.



### Comment conduire la trottinette

- NOTA : Cette trottinette électrique doit se déplacer à 5 km/h avant que le moteur se lance.
- Ne pas utiliser la commande de vitesse (poignée rotative d'accélération) sur le guidon tant que vous n'êtes pas sur la trottinette et dans un environnement extérieur sans danger et approprié pour rouler.
- Tenir le guidon en tout temps lorsque vous roulez.
- Ne pas toucher aux freins ou au moteur d'essieu de la trottinette lorsqu'elle est en marche ou immédiatement après son utilisation, car ces pièces peuvent devenir très chaudes.
- Éviter les vitesses élevées que vous pourriez atteindre dans une descente, car vous risquez de perdre le contrôle de la trottinette.
- Ne pas rouler de nuit ou lorsque la visibilité est limitée.
- Ne pas tenter de faire ou ne pas faire d'acrobaties ou de figures sur la trottinette électrique. La trottinette n'est pas suffisamment solide pour résister à une mauvaise utilisation ou à des abus comme sauter, grimper sur des trottoirs ou toute autre acrobatie. Les courses et l'exécution d'acrobaties ou de tout autre manœuvre augmentent également les risques de perte de contrôle ou peuvent entraîner des actions ou des réactions non maîtrisées de l'utilisateur. Tous ces comportements peuvent entraîner des blessures graves, voire mortelles.
- Ne jamais laisser plus d'une personne à la fois monter sur la trottinette.
- Ne jamais laisser de mains, de pieds, de cheveux, de parties du corps, de vêtements ou d'articles similaires entrer en contact avec les organes mobiles ou les roues.
- Ne jamais utiliser d'écouteurs ou de téléphone portable en roulant.
- Ne jamais s'accrocher à un autre véhicule.

### Équipement de protection, vêtements, chaussures appropriés

- Toujours porter un équipement de protection approprié, tel qu'un casque homologué (avec la sangle correctement bouclée), des protections pour coudes et genoux. Il peut être obligatoire de porter un casque de protection en vertu de la loi ou de la réglementation locale. De plus, il est recommandé de porter un vêtement à manches longues, un pantalon et des gants.
- Toujours porter des chaussures de sport (des chaussures à lacets avec des semelles caoutchouc); ne jamais rouler pieds nus ou en sandales, et s'assurer que vos lacets restent noués et à distance des roues, du moteur et du système d'entraînement.

### Utiliser le chargeur

- Ne jamais modifier le système électrique. Une modification peut entraîner un incendie. L'utilisation du mauvais type de batterie ou de chargeur peut provoquer une explosion.
- AVANT CHAQUE UTILISATION : recharger la batterie pendant AU MOINS 12 heures.
- Éteindre après chaque utilisation. Il pourrait être impossible de recharger la batterie si elle est allumée sans être utilisée.
- NE PAS entreposer à 0 °C ou moins ! Le gel endommagera la batterie de façon permanente.
- Le chargeur fourni avec la trottinette électrique doit être régulièrement examiné pour vérifier si le câble, la prise, le boîtier et les autres pièces sont endommagés. Si un des composants est endommagé, la trottinette ne doit pas être chargée tant que le chargeur n'a pas été réparé ou remplacé.
- Utiliser uniquement un chargeur recommandé par Razor.
- Le chargeur n'est pas un jouet. Le chargeur doit uniquement être utilisé par un adulte.
- Ne pas utiliser le chargeur près de matériaux inflammables ou d'une flamme nue.
- Débrancher le chargeur de la prise et de la trottinette lorsqu'il n'est pas utilisé.
- Ne pas dépasser le temps de charge.
- Toujours débrancher la trottinette du chargeur avant de l'essuyer ou de la nettoyer avec un linge humide.

### Garantie limitée:

Cette garantie limitée est la seule garantie couvrant ce produit. Il n'existe aucune autre garantie explicite ou tacite.

Le fabricant garantit que ce produit est exempt de défauts de fabrication pour une durée de 90 jours à compter de la date d'achat.

Cette garantie limitée s'éteindra si le produit est :

- utilisé autrement qu'à des fins de loisirs ou de transport ;
- modifié de quelque manière que ce soit ;
- loué.



**CONTIENT UNE BATTERIE PLOMB/ACIDE ÉTANCHE, SANS ENTRETIEN.  
LES BATTERIES DOIVENT ÊTRE RECYCLÉES.**



**PRECAUCIONES DE SEGURIDAD durante la operación y el mantenimiento**  
Padres/supervisores adultos, lean esta hoja primero

**PADRES/SUPERVISORES ADULTOS DEBEN ENSEÑAR A SUS HIJOS CÓMO CONDUCIR ESTA ESCÚTER DE FORMA SEGURA. Si el conductor no tiene sentido común y no presta atención a estas precauciones, existe un alto riesgo de daños, heridas graves o posible muerte.**

**Conducir una escúter Eléctrica presenta posibles Riesgos.**

- Al igual que cualquier producto motorizado, una escúter eléctrica puede ser peligrosa (por ejemplo, el conductor puede caerse o conducir hacia una situación peligrosa). Por supuesto que las escúters eléctricas se supone que se moverán y por ello, es posible que un conductor pierda el control o se enrede en alguna situación peligrosa.
- Tanto niños como adultos responsables por supervisarlos deben reconocer que si algo así ocurre, un conductor pueda tener alguna herida grave o morir, aún al utilizar el equipo de seguridad y aunque tome otras precauciones de seguridad.

**UTILICE LAS ESCÚTERS A SU PROPIO RIESGO Y UTILICE EL SENTIDO COMÚN.**

**Es necesaria la Responsabilidad y Supervisión de los Padres o de algún Adulto**

**Debido a que las escúters pueden ser peligrosas y que no cualquier producto es apto para cualquier edad o tamaño de niño – a continuación encontrará recomendaciones para diferentes edades dentro de esta categoría de producto, cuyo propósito es reflejar la naturaleza de los peligros y la habilidad mental o física esperada, o ambas, para que un niño pueda manejar los peligros. Los padres y adultos supervisores necesitan elegir productos apropiados para la edad del niño que conducirá la escúter eléctrica y evitar que los niños demasiado inmaduros o no experimentados para las características del producto se pongan en peligro con el mismo.**

- **La edad mínima recomendada para la escúter eléctrico Razor Power Core E100 es 8 años. Cualquier conductor, de 8 años y más, que no se acomode cómodamente en la escúter, no deberá intentar conducirla. La decisión de los padres de permitir a su hijo conducir este producto debe estar basada en la madurez del niño, así como su habilidad y destreza para seguir las reglas. Mantenga este producto fuera del alcance de niños pequeños y recuerde que debe ser utilizado únicamente por personas que se sientan, como mínimo, totalmente cómodas y competentes para operar la escúter.**
- **Peso máximo del conductor: 54 kg.**
- **Aquellas personas cuyas condiciones psíquicas o físicas puedan hacerlas susceptibles de sufrir daños, o ver sus habilidades físicas o capacidades mentales afectadas a la hora de reconocer, comprender y seguir las instrucciones de seguridad y ser capaces de entender los riesgos inherentes a la utilización de una scooter no deberían utilizar o no se les debería permitir utilizar productos inapropiados. Las personas con problemas de corazón, cabeza, espalda o cuello (o que hayan sido sometidas a cirugías de estas áreas corporales), o mujeres embarazadas, deberán ser advertidas de no usar este tipo de productos.**

**Revise la escúter antes de Usar – Mantenga Después del Uso**

- Antes de utilizarlo, confirme que todas y cada una de las protecciones u otras cubiertas están en su sitio y en buen estado, que el freno funciona correctamente y que los neumáticos tienen suficiente dibujo. Compruebe que el neumático delantero está inflado en el PSI correcto y que la rueda trasera no presenta zonas sin dibujo o excesivamente gastadas.
- Después de su uso, mantenga y repare la escúter de acuerdo con las especificaciones del fabricante en este manual. Utilice únicamente repuestos autorizados por el fabricante. No modifique esta escúter del diseño original y configuración del fabricante.

**Prácticas y Condiciones Aceptables de Conducción – Padres/adultos deben discutir estas reglas con sus hijos.**

**Recomendación de usar equipo de protección. No debe utilizarse en medio del tráfico.**

**En dónde conducir la escúter**

- Revise y obedezca siempre cualquier ley o regla local que pudiera afectar los lugares en donde se puede utilizar la escúter eléctrica. Manténgase lejos de tráfico de automóviles y vehículos motorizados en todo momento y utilice únicamente en donde se permita y con precaución.
- Conduzca a la defensiva. Evite peatones, patinadores, monopatines, escúters, bicicletas, niños o animales que pudieran atravesarse en su camino. Respete los derechos y la propiedad de los demás.
- La escúter eléctrica debe utilizarse en superficies planas y secas, tales como pavimento o superficies planas sin residuos sueltos, tales como arena, hojas, piedras o grava.
- Superficies mojadas, resbalosas, con baches, desiguales o escarpadas, pueden disminuir la tracción e incrementar el riesgo de accidentes.
- No conduzca su escúter en lodo, hielo, charcos o agua.
- Esté alerta por posibles obstáculos que pudieran topár con su llanta o forzarlo a girar repentinamente o perder el control.
- Evite golpes agudos, rejillas de drenajes y cambios bruscos en la superficie.
- No conduzca su escúter en clima húmedo o helado y nunca sumerja la escúter en agua, ya que los componentes eléctricos podrían dañarse con el agua o crear otras condiciones inseguras.
- No arriesgue dañar superficies tales como alfombras o pisos utilizando la escúter eléctrica dentro de la casa.
- Nunca utilice cerca de escaleras o piscinas.

### Cómo conducir la escúter

- NOTA: Esta escúter eléctrica debe estar en movimiento a 5 km/h (3 mph) para que encienda el motor.
- No utilice el control de velocidad (acelerador) del mango a menos que usted esté encima de la escúter y en un ambiente seguro, al aire libre, y adecuado para conducir.
- Sostenga los mangos en todo momento mientras está conduciendo.
- No toque los frenos o el motor de cubo de rueda del escúter si está encendido o inmediatamente después de conducirlo, ya que las piezas pueden calentarse mucho.
- Evite altas velocidades como pudiera tener en caminos cuesta abajo en donde pudiera perder el control.
- No conduzca de noche o cuando la visibilidad sea limitada.
- No intente hacer acrobacias o trucos en su escúter eléctrica. La escúter no es lo suficientemente fuerte para resistir el mal uso y abuso tal como saltos, rechinamiento en curvas o cualquier otro tipo de acrobacias. Carreras, acrobacias y otras maniobras también incrementan el riesgo de pérdida de control, o pudiera ocasionar acciones o reacciones descontroladas del conductor. Todas éstas pudieran resultar en heridas graves o posible muerte.
- Nunca permitir que más de una persona conduzca la escúter a la vez.
- Evite que las manos, los pies, el cabello, partes del cuerpo, vestuario o artículos similares entren en contacto con piezas móviles o las ruedas.
- Nunca utilice audífonos o teléfono celular al conducir.
- Nunca se enganche a otro vehículo.

### Equipo, vestuario, zapatos apropiados para conducir

- Utilice siempre equipo de protección apropiado, tal como un casco de seguridad aprobado (con la correa ajustada de forma segura), coderas y rodilleras. Un casco puede ser requerido por ley o regulación local en su área. Además, se recomienda que utilice una camisa de manga larga, pantalones largos y guantes.
- Siempre utilice zapatos atléticos (amarrados y con suelas de hule), nunca conduzca descalzo o en sandalias, y mantenga las correas de los zapatos amarradas y lejos de las llantas, el motor y el sistema de transmisión.

### Utilizando el cargador

- Nunca modifique el sistema eléctrico. Cualquier alteración puede causar un incendio. El uso del tipo incorrecto de baterías o carga puede causar una explosión.
- ANTES DE CADA USO: cargue la batería por LO MENOS 12 horas.
- Apáguelo después de cada uso. La batería no podrá recargarse si la deja prendida sin uso.
- NO lo guarde en lugares de temperaturas frías o debajo de las temperaturas frías! Las temperaturas congelantes dañarán permanentemente la batería.
- El cargador proporcionado con la escúter eléctrica debe examinarse periódicamente para detectar daños al cable, enchufe, caja y otras partes, y en caso de daño, la escúter no se deberá cargar hasta que el cargador sea reparado o sustituido.
- Utilice únicamente un cargador recomendado por Razor.
- El cargador no es un juguete. Debe ser operado únicamente por un adulto.
- No opere el cargador cerca de materiales inflamables o de una llama abierta.
- Desenchufe el cargador y desconecte de la escúter cuando no esté en uso.
- No exceda el tiempo de carga.
- Desconecte siempre el escúter del punto de carga antes de limpiarlo o pasarle un paño húmedo.

### Garantía Limitada:

Esta garantía limitada es la única garantía para el presente producto. No existe ninguna otra garantía explícita o implícita. El fabricante garantiza que este producto está libre de defectos de fabricación durante un periodo de 90 días a partir de la fecha de compra. Esta garantía se anulará, cuando en algún momento el producto:

- se utilice con otros fines que no sean recreativos o de transporte;
- se modifique de alguna forma;
- se alquile.



**CONTIENE UNA BATERÍA SELLADA A PRUEBA DE DERRAMES CON PLOMO-ACIDO.  
LAS BATERÍAS DEBEN RECICLARSE.**



## **SICHERHEITSVORKEHRUNGEN bei Betrieb und Wartung** Eltern/erwachsene Aufsichtspersonen – erst diese Seite lesen

**ELTERN/ERWACHSENE AUFSICHTS PERSONEN HABEN KINDERN BEIZU-BRINGEN, WIE MAN DIESEN SCOOTER SICHER FÄHRT. Wenn der Benutzer nicht vernünftig genug ist, diese Warnhinweise zu befolgen, besteht eine erhöhte Gefahr von Beschädigungen und schweren Verletzungen, u.U. mit Todesfolge.**

### **Das Fahren eines Elektro-Scooters ist potenziell riskant.**

- Wie jedes Fahrzeug kann ein Elektro-Scooter gefährlich sein (z.B. Herunterfallen oder damit in eine gefährliche Situation geraten). Elektro-Scooter sind natürlich zur Fortbewegung gedacht, und es ist daher möglich, dass ein Fahrer die Kontrolle verlieren oder anderweitig in gefährliche Situationen geraten kann.
- Sowohl Kindern als auch den für ihre Beaufsichtigung verantwortlichen Erwachsenen muss es klar sein, dass der Fahrer in solchen Fällen schwere Verletzungen, u.U. mit Todesfolge, erleiden kann – selbst wenn Sicherheitsausrüstung verwendet wird und andere Sicherheitsvorkehrungen getroffen werden.

### **BENUTZEN SIE SCOOTER AUF EIGENE GEFAHR UND LASSEN SIE GESUNDEN MENSCHENVERSTAND WALTEN.**

#### **Verantwortungsbewusstsein von und Beaufsichtigung durch Eltern und Erwachsene sind notwendig**

**Weil Scooter gefährlich sein können und nicht jedes Produkt für Kinder jeden Alters bzw. jeder Größe geeignet ist, findet man in dieser Produktgruppe unterschiedliche Altersempfehlungen, welche die Gefahrenarten und die zu erwartende geistigen und/oder körperlichen Fähigkeiten eines Kindes im Umgang mit diesen Gefahren berücksichtigen. Eltern und beaufsichtigende Erwachsene müssen Scooter aussuchen, die für das Alter des Kindes geeignet sind, das den Elektro-Scooter fahren soll, und dafür sorgen, dass Kinder, die möglicherweise zu unreif oder unerfahren für die Merkmale eines Produkts sind, sich in dessen Umgebung nicht gefährden können.**

- Für das Fahren unseres Razor Power Core E100 Elektro-Scooters empfehlen wir ein Mindestalter von 8 Jahren. Jeder Benutzer, der – selbst im Alter von 8 Jahren und älter – nicht bequem auf den Scooter passt, darf nicht versuchen, diesen zu fahren. Die elterliche Entscheidung, einem Kind das Fahren mit diesem Produkt zu erlauben, hat auf der Reife, der Geschicklichkeit und der Fähigkeit des Kindes, Anweisungen zu befolgen, zu beruhen. Sorgen Sie dafür, dass dieses Produkt kleinen Kindern nicht zugänglich ist und denken Sie daran, dass sein beabsichtigter Verwendungszweck für Personen ist, die den Scooter zumindest vollkommen bequem und kompetent betreiben können.
- Höchstgewicht des Benutzers: 54 kg.
- Personen mit geistigen oder körperlichen Zuständen, durch die sie verletzungsgefährdet oder in ihrer körperlichen Geschicklichkeit oder geistigen Fähigkeiten darin behindert sind, Sicherheitsanweisungen zu erkennen, zu verstehen und zu befolgen sowie die der Benutzung von Scootern inhärenten Gefahren zu verstehen, dürfen derartige, für ihre Fähigkeiten ungeeignete Produkte nicht benutzen bzw. nicht die Erlaubnis zu deren Benutzung erhalten. Personen mit Herzkrankungen, Kopf-, Rücken- oder Nackenbeschwerden (oder vorangegangenen chirurgischen Eingriffen in diesen Bereichen) sowie Schwangere sollten darauf hingewiesen werden, derartige Produkte nicht zu benutzen.

#### **Scooter vor der Verwendung kontrollieren – nach der Benutzung warten**

- Überzeugen Sie sich vor dem Benutzen, dass alle Schutzbleche und Abdeckungen vorhanden und gebrauchsfähig sind, dass die Bremse richtig funktioniert und dass alle Reifen noch genügend Profil haben. Stellen Sie sicher, dass der Vorderreifen den richtigen Druck hat, und dass das Hinterrad keine Flachstellen oder übermäßigem Verschleiß aufweist.
- Den Scooter nach Gebrauch entsprechend den Herstelleranweisungen in diesem Handbuch warten und reparieren. Nur die vom Hersteller autorisierten Ersatzteile verwenden. Die ursprüngliche Auslegung und Ausführung des Scooters vom Hersteller nicht verändern.

#### **Zulässige Fahrpraktiken und Bedingungen – Eltern/Erwachsene haben diese Regeln mit ihren Kindern zu besprechen. Tragen von Schutzausrüstung empfohlen. Keine Benutzung im Straßenverkehr!**

#### **Wo man den Scooter fahren darf**

- Sich stets erkundigen, wo der Elektro-Scooter entsprechend den örtlich geltenden Gesetzen und Vorschriften benutzt werden darf und diese befolgen. Stets einen sicheren Abstand zu Autos und zum Straßenverkehr wahren und den Scooter nur da, wo es erlaubt ist, und mit Vorsicht benutzen.
- Defensiv verhalten. Auf Fußgänger, Skater, Skateboarder, Scooter, Fahrräder, Kinder und Tiere achten, die im Weg sein können. Die Rechte und das Eigentum anderer respektieren.
- Der Elektro-Scooter ist zur Verwendung auf horizontalen, trockenen Flächen wie Straßenpflaster oder ebenem Boden ohne lockeres Material wie Sand, Blätter, Steine oder Kies bestimmt.
- Auf nassen, rutschigen, holprigen, unebenen oder rauen Flächen verringert sich die Traktion, und das Unfallrisiko ist höher.
- Den Scooter nicht durch Matsch, Eis, Pfützen oder Wasser fahren.
- Ausschau nach potenziellen Hindernissen halten, die sich im Rad verfangen, zum plötzlichen Ausweichen zwingen oder Verlust der Kontrolle zur Folge haben können.
- Steile Bodenwellen, Abwassergitter und plötzliche Oberflächenwechsel vermeiden.
- Den Scooter nicht bei nassem Wetter oder Eis fahren und den Scooter nie unter Wasser setzen, da dies die Elektro- und Antriebskomponenten beschädigen oder unsicher machen kann.
- Scooter nicht drinnen benutzen, da Teppich oder andere Bodenbeläge durch einen Elektro-Scooter beschädigt werden können.
- Nie in der Nähe von Treppenstufen oder Schwimmbecken benutzen.

### So fährt man den Scooter

- **BITTE BEACHTEN:** Dieser Elektro-Scooter muss mindestens 5 km/h fahren, damit sich der Motor zuschaltet.
- Den Gasdrehgriff (Geschwindigkeits-Bedienelement) erst bedienen, wenn Sie auf dem Scooter sind und sich draußen in einer zum Fahren geeigneten Umgebung befinden.
- Sich beim Fahren stets mit den Händen an der Lenkstange festhalten.
- Beim Gebrauch Ihres Scooters und unmittelbar danach weder die Bremsen noch den Radnabenmotor berühren, da diese Teile sehr heiß werden.
- Hohe Geschwindigkeiten wie z.B. auf Bergabfahrten vermeiden, da Sie die Kontrolle verlieren können.
- Nachts bzw. bei beschränkter Sicht nicht fahren.
- Auf dem Elektro-Scooter keine Stunts und Tricks versuchen bzw. ausführen. Der Scooter ist nicht stabil genug, solchen Missbrauch wie Sprünge, Grinds oder sonstigen Stunts auszuhalten. Wettrennen, Stunts und sonstige Manöver erhöhen auch das Risiko, die Kontrolle zu verlieren, und sie können zu unkontrollierten Handlungen und Reaktionen des Benutzers führen. All dies kann in schweren Verletzungen, u.U. mit Todesfolge, resultieren.
- Es darf nie mehr als eine Person auf dem Scooter fahren.
- Dafür sorgen, dass Hände, Füße, Haare, Körperteile, Kleidung oder Ähnliches nicht in Kontakt mit sich bewegenden Teilen oder Rädern kommen.
- Beim Fahren nie Kopfhörer oder Handys benutzen.
- Sich nie an einem anderen Fahrzeug anhängen.

### Vorschriftsmässige ausrüstung, kleidung, schuhe zum fahren

- Stets vorschriftsmässige Schutzausrüstung wie z.B. einen zugelassenen Sturzhelm (mit fest angezogenem Riemen), Ellbogen- und Knieeschützer tragen. Bei Ihnen kann durch örtlich geltendes Recht oder eine Vorschrift ein Helm gesetzlich vorgeschrieben sein. Außerdem sind ein langärmeliges Hemd, lange Hosen und Handschuhe empfehlenswert.
- Stets Turnschuhe (geschnürt und mit Gummisohlen) tragen, nie barfuß oder in Sandalen fahren, und die Schnürsenkel verschnürt und außerhalb der Reichweite von Rädern, Motor und Antriebssystem halten.

### Funktion des ladegeräts

- Die elektrische Anlage nie modifizieren! Änderungen können zu Bränden führen. Bei Verwendung eines falschen Batterietyps besteht Explosionsgefahr.
- **VOR JEDEM GEBRAUCH:** die Batterie **MINDESTENS 12 Stunden** lang aufladen.
- Nach dem Fahren stets abschalten. Wenn die Batterie ohne Benutzung angelassen wird, kann sie eventuell nicht wieder geladen werden.
- **NICHT** bei Temperaturen unter dem Gefrierpunkt lagern! Dadurch wird die Batterie zerstört.
- Das mit dem Elektro-Scooter mitgelieferte Ladegerät ist regelmäßig auf Beschädigungen an Schnur, Stecker, Gehäuse und sonstigen Teilen zu kontrollieren. Im Falle solcher Beschädigungen den Scooter erst wieder laden, wenn das Ladegerät repariert oder ersetzt ist.
- Nur ein von Razor empfohlenes Ladegerät verwenden.
- Das Ladegerät ist kein Spielzeug; es darf nur von Erwachsenen bedient werden.
- Ladegerät nicht in der Nähe brennbarer Materialien oder von offenem Feuer betreiben.
- Netzstecker des Ladegeräts und Ladekabel am Scooter abnehmen, wenn das Ladegerät nicht im Gebrauch ist.
- Ladezeit nicht überschreiten.
- Bevor der Scooter abgewischt oder mit einem feuchten Tuch gereinigt wird, muss dieser grundsätzlich zuvor vom Ladegerät abgenommen werden.

### Begrenzte Gewährleistung:

Diese begrenzte Gewährleistung ist die einzige Gewährleistung für das Produkt. Es gibt keine weitere ausdrückliche oder stillschweigende Gewährleistung. Der Hersteller gewährleistet 90 Tage lang ab Kaufdatum, dass dieses Produkt frei von Herstellungsmängeln ist. Ein Verlust dieser begrenzten Gewährleistung ergibt sich falls dieses Produkt jemals:

- zu einem anderen Zweck als dem der Freizeitbeschäftigung oder des Transports genutzt wird;
- wie auch immer modifiziert wird;
- bei Verleih.



**ENTHÄLT EINE VERSIEGELTE AUSLAUFGESCHÜTZE BLEISÄUREBATTERIE.  
BATTERIEN MÜSSEN RECYCLET WERDEN.**



**PRECAUZIONI da seguire per il corretto funzionamento e la manutenzione**  
I genitori/adulti devono leggere prima questa pagina

**I GENITORI/GLI ADULTI DEVONO INSEGNARE AI BAMBINI COME GUIDARE IN SICUREZZA QUESTO MONOPATTINO.** Se il guidatore manca di buon senso e non tiene conto di queste avvertenze aumenta il rischio di incorrere in danni, lesioni personali fino ad arrivare al decesso.

**Guidare un monopattino elettrico presenta rischi potenziali.**

- Come ogni mezzo in movimento, un monopattino elettrico può rivelarsi pericoloso (ad esempio cadere o guidare in una condizione di pericolo). I monopattini elettrici sono, ovviamente, progettati per il movimento ed è quindi possibile che il guidatore possa perdere il controllo o incorrere in situazioni di pericolo.
- Sia i bambini che gli adulti, preposti alla loro supervisione, devono essere consapevoli che se si verifica una di queste condizioni, il guidatore può ferirsi gravemente o perfino morire anche se si indossano gli opportuni indumenti protettivi e si sono prese le dovute precauzioni.

**GUIDATE IL MONOPATTINO A VOSTRO RISCHIO E PERICOLO E USANDO IL BUONSENNO.**

**La supervisione e la responsabilità dei genitori e degli adulti sono necessarie**

**Poiché i monopattini possono rivelarsi pericolosi e non tutti i prodotti sono adatti alle varie età o al diverso peso dei bambini, in questa categoria di prodotti sono indicate le avvertenze per le diverse età allo scopo di riflettere al meglio la natura dei pericoli e l'abilità auspicabile mentale o fisica, o entrambe, di un bambino di affrontare i pericoli. I genitori e gli adulti preposti alla supervisione, devono scegliere prodotti in movimento adatti all'età del bambino che guiderà il monopattino elettrico e assicurarsi anche il bambino abbia l'esperienza e la maturità necessarie alle caratteristiche di un determinato prodotto per evitare di mettere a repentaglio la sua incolumità.**

- **Letà minima consigliata per guidare il monopattino elettrico Razor Power Core E100 è di 8 anni. È vivamente sconsigliato l'utilizzo del monopattino a qualsiasi guidatore, anche se di età superiore agli 8 anni, che non riesca a prendere comodamente posto su di esso. Il consenso dei genitori all'impiego del veicolo da parte dei bambini dovrebbe basarsi sulla valutazione della loro maturità, abilità e capacità nel seguire le regole. Tenere questo prodotto fuori dalla portata dei bambini piccoli e ricordare che questo prodotto è inteso esclusivamente per l'uso delle persone che si sentono, come minimo, completamente a proprio agio e abili nell'uso del monopattino.**
- **Peso massimo del guidatore 54 kg.**
- **Persone che soffrono di problemi fisici o mentali, che potrebbero incorrere in lesioni personali o pregiudicare la propria abilità fisica o capacità mentale di riconoscere, comprendere e seguire le istruzioni di sicurezza con i rischi potenziali inerenti al monopattino, non devono usare, o deve essere loro impedito di usare questi prodotti non adatti alle loro capacità. Persone affette da problemi cardiaci, disturbi a testa, schiena o collo (o che sono state sottoposte a interventi chirurgici in queste zone del corpo in passato), o donne in gravidanza devono essere avvertite di non usare questi prodotti.**

**Controllare il monopattino prima dell'uso – Effettuare la manutenzione dopo l'uso**

- Prima dell'uso, assicurarsi che tutte le protezioni o le altre coperture siano a posto ed efficienti, che il freno funzioni in modo corretto e che lo/gli pneumatico/i anteriore/i sia/siano debitamente gonfiato/i e ci sia sufficiente battistrada. Assicurarsi che lo pneumatico anteriore sia gonfiato secondo la corretta pressione in PSI e che la ruota posteriore non presenti zone lisce o un'usura eccessiva.
- Dopo l'uso, effettuare le dovute operazioni di manutenzione e riparazione del monopattino seguendo le istruzioni del produttore indicate nel presente manuale. Utilizzare solo pezzi di ricambio autorizzati dal produttore. Non modificare il design e la struttura originale del produttore di questo monopattino.

**Pratiche e condizioni di guida accettabili – I genitori/gli adulti devono informare i propri figli di queste indicazioni. Consigliamo di indossare sempre gli opportuni indumenti protettivi. Da non usare nel traffico.**

**Dove guidare il monopattino**

- Controllare e rispettare sempre le leggi e le normative locali che potrebbero interessare i luoghi in cui il monopattino elettrico è utilizzato. Tenersi sempre lontano dal traffico di autoveicoli e veicoli a motore e utilizzare solo dove permesso e con prudenza.
- Guidare con prudenza. Fare attenzione a evitare pedoni, pattinatori, monopattini, motorini, biciclette, bambini o animali che potrebbero trovarsi sul percorso. Rispettare i diritti e le proprietà altrui.
- Il monopattino elettrico è progettato per l'utilizzo su superfici piane e asciutte come pavimentazione o terreno piano privo di detriti come sabbia, foglie, pietre o ghiaia.
- Le superfici bagnate, scivolose, accidentate, irregolari o ruvide possono diminuire la trazione e aumentare il rischio di incidenti.
- Non guidare il monopattino su fango, ghiaccio, pozzanghere o acqua.
- Fare attenzione agli ostacoli potenziali che potrebbero impigliarsi nelle ruote o obbligare a sterzare improvvisamente o a perdere il controllo.
- Evitare dossi irregolari, griglie per il drenaggio e cambi improvvisi di superficie.
- Non guidare il monopattino quando piove o la temperatura esterna è gelida e non immergere mai il monopattino in acqua, poiché i componenti elettrici e di guida potrebbero essere danneggiati dall'acqua o generare altre condizioni pericolose.
- Evitare di danneggiare superfici come tappeti o pavimenti utilizzando il monopattino elettrico in ambienti al chiuso.
- Non utilizzare in prossimità di gradini o piscine.

**Come guidare il monopattino**

- NOTA: Questo monopattino elettrico deve muoversi a 5 Km/h per avviare il motore.
- Utilizzare la manopola dell'acceleratore (accelerazione tramite manopola) solo quando si è sul monopattino elettrico e in un ambiente esterno sicuro e adatto alla guida di questo veicolo.
- Tenere sempre le mani sul manubrio alla guida.
- Non toccare i freni o il motore al mozzo sul monopattino quando è in funzione o subito dopo una corsa perché la loro temperatura potrebbe essere troppo elevata.
- Evitare le alte velocità come le corse in discesa dov'è possibile perdere il controllo.
- Non utilizzare di notte o quando la visibilità è limitata.
- Non cercare di guidare in modo spericolato o fare acrobazie sul monopattino elettrico. Il monopattino non è abbastanza resistente per l'uso scorretto o il cattivo uso causato da salti, cordoli o da qualsiasi altro tipo di guida spericolata. Anche la corsa, la guida spericolata e altre manovre aumentano il rischio di perdita del controllo o possono provocare azioni o reazioni incontrollate da parte del guidatore. Tutto questo può provocare gravi lesioni o condurre alla morte.
- Non consentire mai l'utilizzo del monopattino a più bambini contemporaneamente.
- Fare attenzione affinché mani, piedi, capelli, parti del corpo, abbigliamento o similari non entrino in contatto con parti in movimento o con le ruote.
- Non utilizzare cuffie o telefoni cellulari alla guida.
- Non gareggiare con altri veicoli.

**Equipaggiamento alla guida, abbigliamento, scarpe adatte**

- Indossare sempre l'equipaggiamento protettivo, come un casco di sicurezza omologato (con il sottogola debitamente allacciato), gomitiere e ginocchiere. L'utilizzo del casco può essere richiesto da leggi o regolamenti locali della vostra zona. Inoltre, si raccomanda l'uso di una maglietta a maniche lunghe, pantaloni lunghi e guanti.
- Indossare sempre le scarpe di ginnastica (scarpe allacciate con soles in gomma), non guidare a piedi nudi o con i sandali e tenere i lacci delle scarpe sempre legati e lontani dalle ruote, dal motore e dal sistema di trasmissione.

**Utilizzo del caricabatteria**

- Non modificare il sistema elettrico. Le modifiche potrebbero causare incendi. L'utilizzo di una batteria o di un caricabatteria non adatto potrebbe provocare un'esplosione.
- PRIMA DI OGNI UTILIZZO: caricare la batteria per ALMENO 12 ore prima di ogni utilizzo.
- Spegnerne dopo ogni corsa. La batteria potrebbe non caricarsi se non utilizzata.
- NON conservare a temperature uguali o sotto lo zero. Temperature uguali o sotto lo zero danneggiano irrimediabilmente la batteria.
- Il caricabatteria fornito con il monopattino elettrico deve essere controllato periodicamente per rilevare eventuali danni del cavo, della spina, dell'involucro e di altre parti e, in caso di danneggiamento, il monopattino non deve essere caricato fino ad avvenuta riparazione o sostituzione del caricabatteria.
- Utilizzare solo il caricabatteria consigliato da Razor.
- Il caricabatteria non è un giocattolo. Il caricabatteria deve essere utilizzato solo da un adulto.
- Non utilizzare il caricabatteria in prossimità di materiali infiammabili o di fiamme aperte.
- Rimuovere il caricabatteria e scollegarlo dal veicolo quando non viene utilizzato.
- Non superare il tempo di ricarica richiesto.
- Disconnettere sempre il caricabatteria prima di effettuare le operazioni di pulizia del monopattino con un panno umido.

**Garanzia Limitata:**

Questa garanzia limitata è l'unica garanzia per questo prodotto. Non esiste nessun'altra garanzia esplicita o implicita.

Il produttore garantisce che questo prodotto è privo di difetti di produzione per un periodo di 90 giorni dalla data di acquisto.

Questa Garanzia Limitata sarà invalidata se il prodotto è:

- utilizzato per scopi diversi dal divertimento o dal trasporto;
- modificato in qualsiasi sua parte;
- prestato.



**CONTIENE UNA BATTERIA AL PIOMBO-ACIDO ERMETICA.  
LE BATTERIE DEVONO ESSERE RICICLATE.**



**VEILIGHEIDSMATREGELEN tijdens gebruik en onderhoud**  
**Ouders en volwassen begeleiders moeten eerst deze pagina lezen**

**OUDERS EN VOLWASSENEN BEGELEIDERS MOETEN KINDEREN UITLEGGEN HOE ZE VEILIG OP DEZE STEP KUNNEN RIJDEN.**  
 Als de bestuurder niet zijn/haar gezond verstand gebruikt en niet deze waarschuwingen in acht neemt, is er een grotere kans op beschadigingen en ernstig of zelfs dodelijk letsel.

**Het rijden op een elektrische step brengt mogelijke risico's met zich mee.**

- Zoals bij elk product, kan het besturen van een elektrische step gevaarlijk zijn (bijvoorbeeld door vallen of verzeild raken in een gevaarlijke situatie). Elektrische steps zijn uiteraard bedoeld om mee te rijden en dus bestaat altijd de kans dat de bestuurder de controle verliest of op een andere manier in een gevaarlijke situatie belandt.
- Zowel kinderen als de volwassenen die voor hen verantwoordelijk zijn, moeten inzien dat de bestuurder ernstig of zelfs dodelijk letsel kan oplopen als zoiets gebeurt, zelfs als hij/zij beschermers gebruikt of andere veiligheidsmaatregelen heeft getroffen.

**HET GEBRUIK VAN DE STEP IS VOOR EIGEN RISICO: GEBRUIK JE GEZOND VERSTAND.**

**Toezicht door ouders of andere verantwoordelijke volwassenen is noodzakelijk**

Omdat steps gevaarlijk kunnen zijn en niet elk product geschikt is voor kinderen van alle leeftijden en grootte, worden bij dit soort producten aanbevelingen voor verschillende leeftijden geleverd. Deze zijn bedoeld om de aard van de gevaren duidelijk te maken, evenals de geestelijke en/of lichamelijke vaardigheden die een kind moet bezitten om met deze gevaren om te gaan. Ouders en volwassen begeleiders moeten een product kiezen dat geschikt zijn voor de leeftijd van het kind voor wie het is bestemd en moeten voorkomen dat kinderen die mogelijk nog te jong of onervaren zijn om het product te gebruiken zich zelf in gevaar brengen.

- De aanbevolen leeftijd voor het besturen van de Razor Power Core E100-step is 8 jaar en ouder. Ieder kind, ook al is het 8 jaar of ouder, dat niet goed op de step past, moet NIET proberen er op te rijden. Ouders moeten hun beslissing om een kind op dit product te laten rijden baseren op de leeftijd, de vaardigheden en het vermogen om regels op te volgen van het kind. Houd dit product uit de buurt van kleine kinderen en vergeet niet dat het alleen mag worden gebruikt door personen die zich in ieder geval volledig comfortabel voelen en over de vereiste vaardigheden beschikken tijdens het besturen van de step.
- Maximumgewicht 54 kg.
- Personen met een geestelijke of lichamelijke beperking die daardoor extra gevoelig zijn voor letsel of waarvan de lichamelijke behendigheid of geestelijke vermogens dusdanig worden belemmerd dat ze veiligheidsinstructies niet kunnen herkennen, begrijpen en opvolgen, en niet begrijpen welke gevaren inherent zijn aan het gebruik van een scooter, mogen producten die ongeschikt zijn voor dergelijke personen niet gebruiken en daarvoor dus ook geen toestemming krijgen. Personen met hartaandoeningen, of hoofd-, rug- of nekletsel (of waarbij eerder medische ingrepen zijn verricht aan deze lichaamsdelen), of zwangere vrouwen, wordt afgeraden dergelijke producten te gebruiken.

**Controleer de step vóór gebruik – onderhoud de step na gebruik**

- Controleer vóór gebruik of alle beschermers en andere kappen of beschermers aanwezig zijn en in bruikbare staat verkeren. Controleer ook of de rem goed werkt en of de voorband op spanning is en nog voldoende profiel heeft. Controleer dat het voorwiel de juiste druk heeft en dat het achterwiel geen afplattingen of overmatige slijtage vertoont.
- Onderhoud en repareer de step na gebruik in overeenstemming met de specificaties van de fabrikant in deze handleiding. Gebruik uitsluitend vervangingsonderdelen die door de fabrikant zijn goedgekeurd. Verander nooit iets aan deze step waardoor het originele ontwerp en configuratie van de fabrikant worden gewijzigd.

**Toegestane manier van besturen en omstandigheden voor gebruik – ouders/volwassenen moeten deze regels met hun kinderen bespreken.**

**Draag altijd beschermers. Niet in het verkeer gebruiken.**

**Waar mag met de step worden gereden?**

- Controleer altijd de lokale wetten en regels m.b.t. de plaatsen waar de elektrische step mag worden gebruikt en houd je er aan. Blijf altijd op veilige afstand van auto's en andere motorvoertuigen, gebruik de step alleen waar dat mag en wees voorzichtig.
- Rijd defensief. Let goed op, zodat je voetgangers, skaters, skateboarders, andere steps, fietsen, kinderen of dieren kunt ontwijken die op je pad komen. Respecteer de rechten en eigendommen van anderen.
- De elektrische step is bedoeld voor gebruik op vlakke, droge oppervlakken, zoals trottoirs of andere vlakke ondergronden zonder rommel (zoals stenen, bladeren, gravel of zand).
- Op natte, gladde, hobbelige, ongelijkmatige of ruwe oppervlakken hebben de banden mogelijk minder grip, waardoor de kans op ongelukken groter is.
- Rijd nooit met de step in modder, op ijs, door plassen of in water.
- Let goed op mogelijke obstakels waar het wiel aan kan blijven haken of waardoor je plotseling moet uitwijken of de controle kan verliezen.
- Rijd niet over scherpe hobbels, drainageroosters en plotselinge wijzigingen van het grondoppervlak.
- Rijd niet met de step in nat weer of bij vorst en dompel de step nooit onder in water. De elektrische componenten en de aandrijvingsonderdelen kunnen door water worden beschadigd en er kunnen andere, mogelijk gevaarlijke omstandigheden door ontstaan.
- Gebruik de elektrische step nooit binnenshuis; hierdoor kan de vloerbedekking worden beschadigd.
- Gebruik de step nooit in de buurt van trappen of zwembaden.



### Hoe mag met de step worden gereden?

- **OPMERKING:** deze elektrische step moet een snelheid van 5 km/uur hebben voordat de motor wordt ingeschakeld.
- Gebruik de snelheidsregeling (de draaihendel) op de handgreep alleen wanneer je op de step staat en buiten bent, in een omgeving die geschikt is voor het rijden met de step.
- Houd tijdens het rijden altijd de handgrepen vast.
- Raak de remmen of de naafmotor van uw scooter niet aan tijdens of direct na gebruik; deze onderdelen kunnen zeer heet worden.
- Vermijd hoge snelheden, zoals bij het omlaag rijden van een heuvel. De kans bestaat dat je de controle verliest.
- Rijd niet 's nachts of bij slecht zicht.
- Probeer geen stunts of tricks te doen op de elektrische step. De step is niet sterk genoeg om verkeerd gebruik of misbruik, zoals springen, rijden op stoerpranden of andere stunts te kunnen weerstaan. Ook bij racen en het doen van tricks of andere manoeuvres bestaat de kans dat je de controle verliest of ongecontroleerde acties of reacties veroorzaakt. Deze kunnen allemaal ernstig of zelfs dodelijk letsel als gevolg hebben.
- Er mag nooit meer dan één persoon tegelijk op de step rijden.
- Voorkom dat handen, voeten, haar, andere lichaamsdelen, kleding en dergelijke in contact komen met bewegende delen of de wielen.
- Gebruik nooit een hoofdtelefoon of een mobieltje tijdens het rijden.
- Laat je nooit voorttrekken door een ander voertuig.

### De juiste beschermers, kleding en schoenen voor het rijden

- Draag altijd geschikte beschermers, zoals een goedgekeurde veiligheidshelm (met een kinband met vergrendeling) en elleboog- en kniestukken. Het is mogelijk dat je wettelijk verplicht bent een veiligheidshelm te dragen. Verder raden we aan een shirt met lange mouwen, een lange broek en handschoenen te dragen.
- Draag altijd sportschoenen (met veters en rubberzolen), rijd nooit blootsvoets of met sandalen en knoop je veters goed vast, zodat ze niet verstrikt kunnen raken in de wielen, de motor of het aandrijfsysteem.

### De oplader gebruiken

- Het elektrisch systeem mag niet worden aangepast. Wijzigingen kunnen brand veroorzaken. Het verkeerde type batterij of oplader kan een explosie veroorzaken.
- **VOOR ELK GEBRUIK:** laad de accu MINIMAAL 12 uur op.
- Na ieder gebruik uitzetten. Als u dat niet doet, kan de accu mogelijk niet worden opgeladen.
- **NIET** bewaren op plekken waar het heel koud is of vriest! De accu kan dan namelijk blijvend beschadigd raken.
- De oplader die bij de elektrische step wordt geleverd, moet regelmatig worden gecontroleerd op beschadigingen van het snoer, de stekker, de behuizing en andere onderdelen. Mocht er sprake zijn van dergelijke beschadigingen, mag de step pas worden opgeladen nadat de oplader is gerepareerd of vervangen.
- Gebruik uitsluitend een oplader die door Razor wordt aanbevolen.
- De oplader is geen speelgoed. De oplader mag alleen door volwassenen worden gebruikt.
- Gebruik de oplader nooit in de buurt van brandbare materialen of open vuur.
- Haal de oplader uit het stopcontact en koppel de lader los van de step als de step niet wordt gebruikt.
- Overschrijd de voorgeschreven oplaadtijd niet.
- Koppel de lader altijd los van de step voordat je deze met een vochtige doek schoonmaakt.

### Beperkte garantie:

Deze beperkte garantie is de enige garantie voor dit product. Er is geen andere uitdrukkelijke of impliciete garantie. De fabrikant geeft vanaf de datum van aankoop 90 dagen garantie op eventuele productiefouten. De geldigheid van deze beperkte garantie vervalt als het product:

- voor iets anders wordt gebruikt dan recreatie of transport;
- op de een of andere manier wordt aangepast;
- wordt verhuurd.



**BEVAT EEN AFGESLOTEN, LEKVRIJE ACCU OP BASIS VAN LOODZWAVELZUUR.  
BATTERIJEN MOETEN WORDEN GERECYCLED.**



**PRECAUÇÕES DE SEGURANÇA durante a operação e a manutenção**  
**Pais/responsáveis adultos leiam primeiro esta página**

**OS PAIS/RESPONSÁVEIS ADULTOS TÊM QUE ENSINAR AS CRIANÇAS A ANDAR EM SEGURANÇA NESTA TROTINETA. Se o utilizador não usar o bom senso e desrespeitar estes avisos, aumenta o risco de danos, ferimentos graves ou até de morte.**

**Andar numa trotineta eléctrica envolve potenciais riscos.**

- Como qualquer produto móvel, uma trotineta eléctrica pode ser perigosa (por exemplo causar quedas ou a utilização numa situação perigosa). As trotinetas eléctricas destinam-se, naturalmente, a deslocar-se e é por isso possível que o utilizador perca o controlo ou se envolva, de outra forma, em situações perigosas.
- As crianças e os adultos responsáveis pela sua supervisão devem reconhecer que se tais situações se verificarem, o utilizador pode ferir-se gravemente e até morrer mesmo se usar equipamento de segurança e tomar outras precauções de segurança.

**USE AS TROTINETAS POR SUA CONTA E RISCO E TENHA BOM SENSO.**

**É necessária a responsabilidade e supervisão dos pais e de adultos**

Uma vez que as trotinetas podem ser perigosas e nem todos os produtos são apropriados para cada idade e tamanho da criança – nesta categoria de produto encontram-se recomendações para diferentes idades, que se destinam a reflectir a natureza dos perigos e as capacidades mentais e físicas, ou ambas, esperadas de uma criança para lidar com os perigos. Os pais e os adultos responsáveis devem seleccionar os produtos apropriados para a idade da criança que vai andar na trotineta eléctrica e ter cuidado para evitar que crianças que possam ser muito imaturas ou inexperientes para as características do produto se coloquem em perigo perto dele.

- A idade recomendada para andar na trotineta eléctrica Razor Power Core E100 é de 8 anos ou mais. Qualquer utilizador, mesmo com 8 anos de idade ou mais velho, que não se adapte confortavelmente à trotineta, não deve tentar andar nela. A decisão dos pais para permitir que os filhos andem neste produto deve basear-se na maturidade da criança, na sua habilidade e capacidade para seguir regras. Mantenha este produto afastado de crianças pequenas e lembre-se que ele se destina a ser usado apenas por pessoas que estão, no mínimo, totalmente à vontade e apresentam competência durante a utilização da trotineta.
- O peso máximo do utilizador é de 54 kg.
- Pessoas que apresentem condições mentais ou físicas que as tornem susceptíveis a lesões ou que impeçam a sua destreza física ou mental para reconhecer, entender e seguir as instruções de segurança e ter capacidade para compreender os perigos inerentes à utilização da trotineta não devem usar ou ter permissão para usar produtos que não sejam adequados às suas capacidades. Pessoas que sofram de problemas cardíacos, de distúrbios psíquicos ou de problemas na coluna, pescoço (ou que tenham sido submetidas anteriormente a cirurgias nas referidas zonas do corpo), ou mulheres grávidas, devem ser advertidas para não usar tais produtos.

**Verificar a trotineta antes da utilização – manutenção após a utilização**

- Antes de utilizar, confirme se todas as protecções da corrente ou outras tampas e protecções estão colocadas e em condições de utilização; se o travão está a funcionar correctamente, e se o rodado do(s) pneu(s) não está demasiado gasto. Certifique-se de que o pneu dianteiro está cheio de acordo com os bares corretos e que a roda traseira não apresenta áreas planas ou desgaste excessivo.
- Após a utilização, proceda à manutenção e repare a trotineta de acordo com as especificações dadas neste manual. Use apenas as peças de substituição autorizadas pelo fabricante. Não modifique a concepção e a configuração originais do fabricante.

**Práticas e condições aceitáveis de utilização – Pais/adultos devem discutir estas regras com os seus filhos.**

**Deve ser usado equipamento de protecção. Não utilizar na via pública.**

**Onde andar com a trotineta**

- Verifique sempre e obedeça às leis ou regulamentos locais que possam afectar os locais onde a trotineta eléctrica pode ser usada. Mantenha sempre uma distância segura de automóveis e do tráfego de veículos a motor e utilize apenas em locais permitidos e com precaução.
- Ande com cuidado. Tenha cuidado para evitar peões, utilizadores de skate, skateboards, ciclistas, crianças ou animais que possam atravessar-se no seu caminho. Respeite os direitos e a propriedade dos outros.
- A trotineta eléctrica destina-se a ser usada em superfícies planas, secas tal como pavimento ou terreno nivelado sem materiais soltos tais como areia, pedras ou gravilha).
- Superfícies molhadas, lisas, irregulares ou ásperas podem diminuir a tracção e aumentar o risco de acidentes.
- Não ande com a trotineta na lama, gelo ou poças de água.
- Tenha cuidado com potenciais obstáculos que possam prender a roda ou fazê-lo desviar-se repentinamente ou perder o controlo.
- Evite colisões bruscas, grelhas de escoamento e mudanças súbitas de superfície.
- Não ande de trotineta com chuva ou gelo e nunca mergulhe a trotineta em água, porque os componentes eléctricos e motores podem ficar danificados pela água ou criar outras condições eventualmente pouco seguras.
- Nunca ande de com a trotineta eléctrica dentro de casa correndo o risco de danificar superfícies tais como tapetes ou o pavimento.
- Nunca ande próximo de degraus ou piscinas.

### Como andar com a trotineta

- NOTA: Esta trotineta eléctrica tem que deslocar-se a 5 km/h para que o motor seja accionado.
- Não use o controlo de velocidade (manipulo do acelerador) no punho se não estiver em cima da trotineta e num local seguro e adequado no exterior.
- Segure sempre o guiador quando se deslocar.
- Não toque nos travões ou no motor de cubo enquanto a estiver a usar ou imediatamente a seguir a ter andado porque estes componentes podem estar muito quentes.
- Evite velocidades elevadas que poderão ser atingidas em descidas onde poderá perder o controlo.
- Não ande de noite ou quando a visibilidade for reduzida.
- Não tente ou faça acrobacias ou habilidades na trotineta eléctrica. A trotineta não é suficientemente resistente para suportar a utilização incorrecta e abusiva tal como saltos, derrapagens ou outro tipo de acrobacias. Fazer corridas, fazer acrobacias ou outras manobras também pode aumentar o risco de perda de controlo ou dar origem a actos e reacções descontrolados. Todos estes actos podem resultar em ferimentos graves ou possivelmente a morte.
- Não permita a presença de mais do que uma pessoa na trotineta.
- Não deixe que as mãos, pés, partes do corpo, vestuário ou outros artigos semelhantes entrem em contacto com peças móveis ou rodas.
- Nunca utilize auscultadores ou telemóveis quando andar de trotineta.
- Nunca ande à boleia de outro veículo.

### Equipamento, vestuário e sapatos adequados

- Use sempre equipamento de protecção adequado, como um capacete de segurança aprovado (com a tira do queixo bem apertada), cotoveleiras e joelheiras. Na sua área, a legislação ou a regulamentação local pode exigir a utilização de capacete. Além disso, recomenda-se o uso de camisolas de manga comprida, calças compridas e luvas.
- Use sempre calçado desportivo (sapatos com atacadores com sola de borracha), nunca ande descalço ou com sandálias, e mantenha os atacadores apertados e afastados das rodas, motor e do sistema da transmissão.

### Usar o carregador

- Nunca modifique o sistema eléctrico. As alterações podem originar um incêndio. A utilização de um tipo de bateria ou carregador incorrectos pode causar uma explosão.
- ANTES DE CADA UTILIZAÇÃO: carregue a bateria durante PELO MENOS 12 horas antes de cada utilização.
- Desligue após cada utilização. A bateria pode não recarregar se permanecer sem ser utilizada.
- NÃO armazene em temperaturas passíveis de congelação ou temperaturas negativas! As temperaturas abaixo de zero danificam permanentemente a bateria.
- Deve verificar regularmente se existem danos no cabo, na ficha, no revestimento e em outras peças do carregador fornecido com a trotineta eléctrica. Em caso de danos, a trotineta não deve ser carregada até que o carregador tenha sido reparado ou substituído.
- Utilize apenas um carregador recomendado pela Razor.
- O carregador não é um brinquedo. O carregador deve apenas ser usado por um adulto.
- Não use o carregador perto de materiais inflamáveis ou chamas expostas.
- Desligue o carregador da corrente e da trotineta quando não estiver a ser usado.
- Não exceda o tempo de carga.
- Desligue sempre a trotineta do carregador antes de a limpar ou passar um pano húmido.

### Garantia Limitada:

Esta Garantia Limitada é a única garantia para este produto. Não existem outras garantias expressas ou implícitas. O fabricante garante a isenção de defeitos de fabrico deste produto por um período de 90 dias a contar da data da compra. Esta Garantia Limitada será anulada se o produto for alguma vez:

- utilizado de uma forma que não para o lazer ou transporte;
- modificado de alguma forma;
- alugado.



**CONTÉM UMA BATERIA SELADA DE ÁCIDO DE CHUMBO NÃO DERRAMÁVEL.  
AS PILHAS DEVEM SER RECICLADAS.**



**ŚRODKI OSTROŻNOŚCI podczas obsługi i konserwacji**  
**Rodzice i dorośli opiekunowie powinni zacząć od przeczytania tej strony**

**RODZICE LUB DOROŚLI OPIEKUNOWIE MUSZĄ NAUCZYĆ DZIECI BEZPIECZNEJ JAZDY NA HULAJNODZE.**  
**Nieprzestrzeganie podczas jazdy zasad zdrowego rozsądku i tych ostrzeżeń może pociągnąć za sobą uszkodzenia, poważny uraz ciała lub nawet śmierć.**

**Jazda na elektrycznej hulajnodze jest potencjalnie niebezpieczna.**

- Tak jak każdy produkt do jazdy, elektryczna hulajnoga może być niebezpieczna (np. można z niej spaść lub wjechać w niebezpieczne miejsce). Elektryczne hulajnogi mają służyć do przemieszczania się i dlatego jeździec może stracić kontrolę lub znaleźć się w niebezpiecznej sytuacji.
- Dzieci i dorośli odpowiedzialni za opiekę nad dziećmi muszą wiedzieć, że jeśli taka sytuacja ma miejsce, jeździec może doznać poważnego urazu ciała lub może nawet umrzeć nawet w przypadku używania sprzętu ochronnego i podjęcia środków bezpieczeństwa.

**HULAJNOGI UŻYWA SIĘ NA WŁASNE RYZYKO I ZGODNIE ZE ZDROWYM ROSZĄDKIEM.**

**Rodzice i osoby dorosłe przyjmują na siebie odpowiedzialność i nadzór nad dziećmi**

Ponieważ hulajnogi są niebezpieczne i nie każdy produkt jest odpowiedni dla każdego wieku i wielkości dziecka – w przypadku tej kategorii produktów występują różne zalecenia w zależności od wieku, które odzwierciedlają naturę zagrożeń oraz możliwości psycho-ruchowe dziecka. Rodzice i osoby nadzorujące muszą wybrać elektryczną hulajnogę odpowiednią do wieku dziecka, a także uniemożliwić narażenie się na niebezpieczeństwo dziecku zbyt niedojrzalemu lub niedoświadczonemu, by używał produktu o danej charakterystyce.

- **Zalecany wiek użytkownika elektrycznej hulajnowy Razor Power Core E100 to co najmniej 8 lat. Dzieci, nawet w wieku 8 lat i starsze, które nie mieszczą się wygodnie na hulajnodze, nie powinny na niej jeździć. Rodzice mogą pozwolić dziecku na używanie tego produktu w oparciu o jego wiek, umiejętności i zdolności do przestrzegania zasad. Trzymać produkt z dala od małych dzieci i pamiętać, że jest przeznaczony do użycia przez osoby, które mogą co najmniej całkowicie swobodnie i pewnie obsługiwać tę hulajnogę.**
- **Maksymalna waga osoby jeżdżącej to 54 kg.**
- **Osoby o stanie mentalnym lub fizycznym, który może narazić je na uraz ciała lub obniżyć ich zręczność fizyczną albo zdolność do rozpoznawania, rozumienia i przestrzegania instrukcji i zrozumienia zagrożeń związanych z używaniem hulajnowy, nie powinny używać produktów nieodpowiednich do ich umiejętności. Osoby z chorobami serca, dolegliwościami związanymi z głową, plecami lub szyją (lub przed operacjami związanymi z tymi częściami ciała) oraz kobiety w ciąży nie powinny używać tych produktów.**

**Sprawdzać hulajnogę przed użyciem – konserwować po użyciu**

- Przed użyciem sprawdzić, czy wszystkie osłony i inne osłony oraz pokrywy są na miejscu i w dobrym stanie, czy hamulec działa prawidłowo i czy przednie opony mają wystarczający bieżnik. Upewnić się, że przednia opona jest napompowana do odpowiedniego ciśnienia i że tylne opona nie ma miejscowo startego bieżnika oraz nie wykazuje nadmiernego zużycia.
- Po użyciu konserwować i naprawiać hulajnogę zgodnie ze specyfikacjami producenta przedstawionymi w tej instrukcji. Używać wyłącznie oryginalnych części zamiennych. Nie zmieniać konstrukcji lub konfiguracji tej hulajnowy.

**Dopuszczalne sposoby i warunki jazdy – rodzice/osoby dorosłe powinni omówić te zasady z dziećmi.**

**Wypożyczenie ochronne. Nie należy używać w ruchu ulicznym.**

**Gdzie jeździć hulajnogą**

- Zawsze sprawdzać i przestrzegać lokalnych przepisów i uregulowań, które mogą obowiązywać w miejscach używania elektrycznej hulajnowy. Zawsze trzymać się z dala od samochodów i ruchu pojazdów i używać tylko w miejscach dozwolonych z zachowaniem uwagi.
- Jeździć z zachowaniem ostrożności. Omijać pieszych, wrotkarzy, desko rolkarzy, użytkowników innych hulajnowy, rowerzystów, dzieci i zwierząt, które mogą znaleźć się na drodze. Szanować prawa i własność innych.
- Elektryczna hulajnoga powinna być używana na płaskich, suchych powierzchniach, takich jak chodnik lub poziomy teren bez luźnych elementów, takich jak piasek, liście, kamień czy szuter.
- Mokre, śliskie, nierówne lub chropowate powierzchnie mogą zmniejszyć przyczepność i zwiększyć ryzyko wypadku.
- Nie jeździć hulajnogą po błocie, lodzie, bajorach lub wodzie.
- Uważać na potencjalne przeszkody, które mogłyby uwięzić koło lub zmusić do gwałtownego skrętu lub utraty kontroli.
- Unikać ostrych wybojów, krątek ściekowych i nagłych zmian powierzchni.
- Nie jeździć hulajnogą w warunkach mokrych lub śnieżnych i nigdy nie zanurzać hulajnowy w wodzie, ponieważ podzespoły elektryczne i napędowe mogą zostać uszkodzone przez wodę lub spowodować inne potencjalnie niebezpieczne sytuacje.
- Nigdy nie ryzykować uszkodzenia powierzchni takich jak dywan czy podłoga poprzez użycie elektrycznej hulajnowy wewnątrz budynku.
- Nigdy nie używać w pobliżu schodów lub basenu.

### Jak jeździć hulajnogą

- UWAGA: Ta elektryczna hulajnogą musi się poruszać z prędkością 5 km/h przed włączeniem silnika.
- Nie używać kontroli prędkości (obrotowej rękojeści) w kierownicy, gdy jeździec nie znajduje się na hulajnodze w bezpiecznym miejscu na zewnątrz budynku odpowiednim do jazdy.
- Podczas jazdy przez cały czas trzymać kierownicę.
- Nie dotykać hamulców ani silnika hulajnogą podczas używania produktu lub bezpośrednio po jeździe, ponieważ te części mogą być bardzo gorące.
- Unikać dużych prędkości, np. podczas zjazdu z góry, ponieważ można wtedy utracić kontrolę nad jazdą.
- Nie jeździć nocą ani gdy widoczność jest obniżona.
- Nie próbować ani nie wykonywać akrobacji ani trików na elektrycznej hulajnodze. Jej konstrukcja nie jest na tyle mocna, aby wytrzymała skoki, jazdę po krawężniku lub inne triki. Jazda wyścigowa, kaskaderska i inne manewry mogą także zwiększyć ryzyko utraty kontroli lub mogą spowodować niekontrolowane działania lub reakcje jeźdźcy. Może to spowodować poważny uraz ciała lub nawet śmierć.
- Hulajnogą nigdy nie może jeździć więcej niż jedna osoba.
- Nie pozwalać, aby dłonie, stopy, włosy, części ciała, odzież lub inne elementy stykały się z ruchomymi częściami, kołami lub napędem.
- Nigdy nie używać słuchawek ani telefonu komórkowego podczas jazdy.
- Podczas jazdy nigdy nie podłączać się do innego pojazdu.

### Prawidłowy sprzęt, odzież i buty do jazdy

- Zawsze nosić odpowiedni sprzęt ochrony, tj. zatwierdzony kask bezpieczeństwa (z bezpiecznie zapiętym paskiem), ochronniki łokci i kolan. Kask może być wymagany przez przepisy lokalne lub miejscowe uregulowania. Ponadto zaleca się noszenie koszuli z długimi rękawami, długich spodni i rękawic.
- Zawsze nosić buty sportowe (buty związane sznurowadłami z gumowymi podeszwami), nigdy nie jeździć boso lub w sandałach, mieć związane sznurowadła i trzymać je z dala od kół, silnika i napędu.

### Używanie ładowarki

- Zakaz modyfikacji układów elektrycznych. Modyfikacja może być przyczyną pożaru. Użycie nieprawidłowego typu akumulatora lub ładowarki może spowodować eksplozję.
- PRZED KAŻDYM UŻYCIEM: Ładować baterię przez CO NAJMNIEJ 12 godzin.
- Wyłączyć po każdej jeździe. Naładowanie baterii może być niemożliwe, jeśli urządzenie zostanie pozostawione bez wyłączenia.
- NIE przechowywać w temperaturach ujemnych! Temperatury ujemne powodują trwałe uszkodzenie baterii.
- Ładowarka dostarczona wraz z elektryczną hulajnogą powinna być regularnie sprawdzana pod kątem uszkodzenia kabla, wtyczki, obudowy i innych części, a w przypadku uszkodzenia nie można ładować hulajnogą aż do naprawy lub wymiany ładowarki.
- Używać tylko ładowarkę zalecaną przez firmę Razor.
- Ładowarka nie jest zabawką. Powinna być obsługiwana przez osobę dorosłą.
- Nie używać ładowarki w pobliżu materiałów palnych lub otwartego ognia.
- Wyjąć ładowarkę z gniazda i odłączyć od hulajnogą, gdy nie jest używana.
- Nie przekraczać czasu ładowania.
- Zawsze odłączyć hulajnogę od ładowarki przed przetarciem jej lub czyszczeniem wilgotną szmatką.

### Ograniczona gwarancja:

Ta ograniczona gwarancja jest jedyną gwarancją na ten produkt. Nie obowiązuje żadna inna jawna lub dorozumiana gwarancja. Producent gwarantuje, że ten produkt będzie wolny od wad produkcyjnych przez okres 90 dni od zakupu. Ta ograniczona gwarancja zostaje unieważniona, gdy produkt:

- zostanie użyty w sposób inny niż do rekreacji lub transportu;
- zostanie w jakikolwiek sposób zmodyfikowany;
- zostanie wypożyczony.



**ZAWIERA JEDEN SZCZELNY, BEZWYCIEKOWY AKUMULATOR KWASOWO-OŁOWIOWY. AKUMULATORY MUSZĄ ZOSTAĆ PODDANE RECYKLINGOWI.**



**BIZTONSÁGI UTASÍTÁSOK a használatához és karbantartáshoz**  
Szülők/felnőtt felügyelők először olvassák el ezt az oldalt

**SZÜLŐK/FELNŐTT FELÜGYELŐK TANÍTSÁK MEG A GYERMEKEKET A ROLLER BIZTONSÁGOS HASZNÁLATÁRA.** Ha a használó nem ésszerűen rollerezik, és figyelmen kívül hagyja ezeket a figyelmeztetéseket, megnő az anyagi kár, komoly sérülés vagy esetlegesen a halál kockázata.

**Az elektromos roller használata lehetséges kockázatokat jelent.**

- Bármilyen más járműhöz hasonlóan az elektromos roller is veszélyes lehet (például leesel, vagy veszélyes helyzetbe kerülsz). Természetesen az elektromos roller mozgásra való, és emiatt előfordulhat, hogy a használó elveszíti az uralmat felette, vagy más veszélyes helyzetbe kerül.
- A gyermekeknek és a felügyelőükért felelős felnőtteknek is tisztában kell lenni azzal, hogy ha ilyen esetek bekövetkeznek, a rolleres súlyosan megsérülhet vagy esetleg meghalhat még a biztonsági felszerelés használata és egyéb biztonsági utasítás betartása mellett is.

**A ROLLEREKET SAJÁT KOCKÁZATODRA ÉS ÉSSZÉRŰEN HASZNÁLD.**

**Szülői és felnőtt felelősség, valamint felügyelet szükséges**

Mivel a roller veszélyes lehet, és nem mindegyik termék felel meg minden korosztályú és méretű gyermeknek, a termékkategórián belül különböző kornak megfelelő ajánlatok találhatóak, amelyek tükrözni kívánják a veszélyek természetét, és a gyermek szellemi vagy fizikai vagy mindkét képességét, hogy megbirkózzon a veszélyekkel. A szülőknek és felügyelő felnőtteknek úgy kell kiválasztani az elektromos rollert, hogy az a használó gyermek korának megfelelően, és gondoskodni kell azoknak a veszélyeknek megelőzéséről, amelyeknek a termék adottságaihoz esetleg még nem eléggé érett vagy gyakorlatlan gyermekek kiteszik magukat.

- A Razor Power Core E100 elektromos roller használata 8 éves kortól és azon felül ajánlott. Bárki, akinek a roller mérete nem kényelmes, még ha 8 éves vagy annál öregebb is, ne próbálkozzon a használatával. A szülőnek a gyermek fejlettségére, ügyességére és a szabályok betartásának a képességére kell alapotnia a döntését, hogy engedí gyermekének használni a terméket. Tartsd távol a terméket kisgyermekektől, és ne felejtse el, hogy csak azoknak szánták, akik legalábbis biztosan és hozzáértően tudják használni a rollert.
- Maximális teherbírás 54 kg.
- Azok a személyek, akik bármilyen olyan szellemi vagy fizikai állapotban vannak, amely sérülésre hajlamossá teszi őket, rontja fizikai készségüket vagy az arra vonatkozó szellemi képességüket, hogy felismerjék, megértsék és kövessék a biztonsági utasításokat, valamint képesek legyenek megérteni a roller használatában rejlő veszélyeket, ne használják, vagy nem szabad megengedni számukra, hogy a képességeiknek nem megfelelő termékeket használjanak. Szívbeteg, fej-, hát- vagy nyaki panaszokkal rendelkező személyeket (vagy azokat, akiket ezeken a testrészekon korábban műtöttek), illetve a terhes nőket figyelmeztetni kell, hogy ne használjanak ilyen termékeket.

**Ellenőrizd a rollert a használat előtt – tartsd karban a használat után**

- Használat előtt győződj meg arról, hogy minden egyes védőburkolat és védőelem a helyén van és működőképes, hogy a fék megfelelően működik, és a futófelület(ek) mélysége elegendő. Ellenőrizze, hogy az első kerekek fel vannak-e fújva a megfelelő nyomásra, és hogy a hátsó kerekek nem laposak-e és nincsenek-e túlzottan elkopva.
- Használat után végezd el a roller karbantartását és javítását a gyártó ebben a kézikönyvben található előírásainak megfelelően. Csak a gyártó által engedélyezett cserealkatrészeket használj. Ne módosítsd a rollert a gyártó eredeti tervéhez és beállításához képest!

**Elfogadható rollerhasználat és feltételek – Szülőknek/felnőtteknek meg kell beszélni ezeket a szabályokat a gyermekekkel. Védőfelszerelést kell viselni. Közúti forgalomban nem használható.**

**Hol használod a rollert?**

- Mindig ellenőrizd és tarts be minden olyan helyi jogszabályt és rendelkezést, amely befolyásolhatja, hogy hol használható az elektromos roller. Maradj mindig biztonságos távolságban a gépjárműforgalomtól, óvatosan használj, és csak ott, ahol megengedett.
- Az esetleges veszélyekre figyelj rollerez. Igyekezz elkerülni a gyalogosokat, görkorcsolyázókat, gördeszkákat, rollereket, bicikliket, az utadba kerülő gyerekeket vagy állatokat. Tiszteld mások jogait és tulajdonát.
- Az elektromos rollert síma, száraz felületen történő használatra szánták, mint például a járda vagy egyenes talaj, ahol nincs laza kötőelemek, például homok, falevelek, kövek vagy kavics.
- Az elektromos rollert síma, száraz felületen történő használatra szánták, mint például a járda vagy egyenes talaj, ahol nincs laza kötőelemek, például homok, falevelek, kövek vagy kavics.
- A vizes, csúszós, egyenetlen vagy durva felület csökkentheti a tapadást és növeli a balesetveszélyt.
- Ne használj a rollert sárban, jégen, tócsákban vagy vízben.
- Figyelj a lehetséges akadályokra, amelyek elkaphatják a kerekeket, vagy hirtelen fékezésre, illetve az irányítás elvesztésére kényszerítenek.
- Kerüld a kemény döccenőket, csatornarácsokat és váratlan felületváltozásokat.
- Ne használj a rollert esős vagy jeges időben, és soha ne mártsd vízbe a rollert, mivel a víztől az elektromos és hajtóelemek megsérülhetnek, vagy egyéb veszélyes helyzet alakulhat ki.
- Soha ne kockáztasd, hogy megrongálod a felületet, például a szőnyeget vagy padlót az elektromos roller bent használatával.
- Soha ne használj lépcső vagy úszómedence közelében.

### Hogyan használd a rollert?

- **MEGJEGYZÉS:** az elektromos rollernek 5 km/h sebességgel kell mozognia ahhoz, hogy a motor bekapcsolódjon.
- Ne használd a fogantyún a sebességszabályozót (gázadagoló), hacsak nem vagy rajta a rolleren és rollerezésre megfelelő biztonságos, kinti körülmények között.
- Mindig fogd a kormányt, amíg a rollert használod.
- Ne érintsd meg a rolleren a fékeket vagy az agymotort használat közben vagy közvetlenül használat után, mivel ezek a részek nagyon felmelegedhetnek.
- Kerüld a nagy sebességet, amit például lejtőn érhetsz el, ahol elveszitheted az irányítást.
- Ne rollerezz éjszaka vagy amikor a látási viszonyok korlátozottak.
- Ne próbálkozz vagy végezz mutatványokat, trükköket az elektromos rollereden. A roller nem elég erős ahhoz, hogy kibírja a helytelen használatot és rongálást, mint például ugratás, járdaszegélyhez dörzsölés vagy más típusú mutatvány. Versenyzés, mutatványozás vagy egyéb manőver szintén fokozza a roller feletti uralom elvesztésének a kockázatát, vagy irányíthatatlan mozdulatokat, reakciókat válthat ki. Mindezek komoly sérüléseket vagy esetlegesen halált eredményezhetnek.
- Soha ne engedd egyszerre egymél több személynek használni a rollert.
- Ne engedd, hogy a kéz, láb, haj, testrészek, ruházat vagy hasonló tárgyak érintkezésbe kerüljenek a mozgó részekkel, vagy a kerekkel.
- Soha ne használj fejhallgatót vagy mobiltelefont rollerezés közben.
- Soha ne húzsd magad egy másik járművel.

### Megfelelő felszerelés, ruházat, cipő

- Viselj mindig megfelelő védőfelszerelést, mint például jóváhagyott biztonsági védősisakot (bekapsolt rögzítőpánttal), könyök- és térdvédőt. A védősisak a helyi jogszabályok és rendelkezések előírásai szerint kötelező lehet a környéken. Ezen kívül hosszúujjú ing, hosszúnadrág és kesztyű is ajánlott.
- Viselj mindig sportcipőt (gumitalpú fűzős cipő), soha ne rollerezz meztláb vagy szandálban, a cipőfűzőt kösd be és tartsd távol a kerekektől, motortól és a hajtásrendszertől.

### A töltő használata

- Soha ne módosítsd az elektromos rendszert. A változtatás tüzet okozhat. Nem megfelelő típusú akkumulátor vagy töltő használata robbanást okozhat.
- **MINDEN HASZNÁLAT ELŐTT: LEGALÁBB 12 órát töltsd az akkumulátort.**
- Kapcsold ki minden használat után. Előfordulhat, hogy az akkumulátor nem töltődik fel, ha használaton kívül bekapcsolva marad.
- **NE tárold nagyon hidegben vagy fagypon alatti hőmérsékleten! Fagypon alatti hőmérséklet maradandó károsodást okoz az akkumulátorban.**
- Az elektromos rollerhez adott töltőt rendszeresen ellenőrizni kell, hogy nem sérült-e a vezeték, csatlakozódugasz, burkolat vagy más részek, sérülés esetén a rollert addig nem szabad tölteni, amíg a töltőt megjavítják vagy kicserélik.
- Csak a Razor által ajánlott töltőt használj.
- A töltő nem játékszer. Csak felnőtt működtetheti.
- Ne használd a töltőt gyúlékony anyag vagy nyílt láng közelében.
- Húzd ki a töltőt az áramból és kapcsold le a rollerről, amikor nincs használatban.
- Ne lépd túl a töltési időt.
- Mindig húzd ki a rollert a töltőből, mielőtt nedves ruhával letörlöd vagy megtisztítod.

### Korlátozott garancia:

Ez a korlátozott jótállás az egyedüli garancia erre a termékre. Nincs semmilyen más kifejezett vagy feltételezett garancia.

A gyártó garantálja, hogy a termék a vásárlás időpontjától számított 90 napig gyártási hibáktól mentes. Ez a korlátozott garancia megszűnik, amennyiben a termék bármikor:

- szabadidősporton vagy közlekedésen kívül más célra lett használva;
- bármilyen formában módosítva lett;
- berbeadásra került.



**EGY LEZÁRT, FRÖCCSENÉMENTES SAVAS ÓLOMAKKUMULÁTORT TARTALMAZ.  
AZ AKKUMULÁTOROKAT ÚJRA KELL HASZNOSÍTANI.**



**МЕРЫ ПРЕДОСТОРОЖНОСТИ** во время использования и обслуживания Родителям/присматривающим взрослым необходимо сначала прочесть эту страницу

**РОДИТЕЛИ ИЛИ ПРИСМАТРИВАЮЩИЕ ВЗРОСЛЫЕ ДОЛЖНЫ СНАЧАЛА НАУЧИТЬ ДЕТЕЙ БЕЗОПАСНО КАТАТЬСЯ НА САМОКАТЕ.** Если ездок не будет рассудительным и не будет обращать внимание на эти предупреждения, существует повышенный риск повреждения, серьезных травм и возможной смерти.

**Езда на электрическом скутере представляет потенциальные риски.**

- Как и любое другое транспортное средство, электрический скутер может быть опасным (например, падение или опасные ситуации). Конечно, электрические самокаты предназначены для передвижения, поэтому ездок может потерять управление или попасть в другую опасную ситуацию.
- Дети и взрослые, которые за ними присматривают, должны осознавать, что если такое произойдет, ездок может быть серьезно травмирован или даже умереть, даже если использовать защитное оснащение и следовать мерам предосторожности.

**ИСПОЛЬЗУЙТЕ САМОКАТ НА СВОЙ СОБСТВЕННЫЙ РИСК И БУДЬТЕ РАССУДИТЕЛЬНЫ.**

**Необходима ответственность и присмотр родителей и взрослых**

Так как самокаты могут быть опасными, и не каждая продукция подходит для любого возраста или размера ребенка, для этой категории продукции представлены рекомендации для разных возрастов, они предназначены для описания природы риска и ожидаемых умственных и физических способностей (или того и другого) ребенка, чтобы избежать опасности. Родители и наблюдающие взрослые должны выбирать транспортную продукцию, соответствующую возрасту ребенка, который будет кататься на электрическом самокате, и не допускать, чтобы слишком маленьким или неопытным для характеристик продукции дети подвергали себя риску.

- Рекомендуемый возраст пользователя электросамоката Razor Power Core E100 – 8 лет и старше. Никто из пользователей, даже старше 8 лет, не должен пытаться ездить на скутере, если он чувствует себя на нем некомфортно. Разрешение родителей кататься на данной продукции должно основываться на возрасте ребенка, его навыках и способности соблюдать правила. Не давайте продукцию маленьким детям и помните, что она предназначена для использования людьми, которые, как минимум, удобно себя чувствуют во время управления самокатом и знают, как это делать.
- Максимальный вес велосипедиста – 54 кг.
- Люди с умственными и физическими особенностями, которые делают их восприимчивыми к травмам или влияю на физическую способность управлять или умственную способность воспринимать, понимать и соблюдать инструкции безопасности и способность понимать риски, связанные с использованием самоката, не должны использовать или допускать к использованию продукции, которая не соответствует их возможностям. Людей с болезнями сердца, заболеваниями головы, спины или шеи (или операциями на этих частях тела) или беременных женщин нужно предупредить, что им нельзя управлять продукцией.

**Проверьте самокат перед использованием – проведите работы по обслуживанию после использования**

- Перед использованием убедитесь в том, что все защитные кожухи на месте и в рабочем состоянии, что тормоза работают должным образом, и что покрышки не истерлись. Убедитесь в том, что передняя шина накачана до необходимого давления, а на заднем колесе нет стертых мест и следов чрезмерного износа.
- После использования проводите обслуживание и ремонт в соответствии с рекомендациями производителя в этой инструкции. Используйте только разрешенные производителем запчасти. Не изменяйте первоначальную конструкцию и конфигурацию этого самоката.

**Допустимая практика и условия езды – родители/взрослые должны обсудить эти правила со своими детьми. Необходимо надевать защитное оснащение. Не для использования среди автомобилей.**

**Где кататься на самокате**

- Всегда узнавайте и соблюдайте местные законы или нормы, которые могут повлиять на места использования электрического самоката. Всегда остерегайтесь автомобилей и транспортного движения и используйте самокат осторожно и в разрешенных местах.
- Следует ездить аккуратно. Избегайте пешеходов, роллеров, скейтбордистов, самокатов, мотоциклов, детей и животных, которые могут встать у вас на пути. Уважайте права и частную собственность окружающих.
- Электрический самокат предназначен для использования на ровной сухой поверхности, такой как тротуар или ровная площадка без таких загрязнений, как песок, листья, камни или гравий.
- Мокрые, скользкие, ухабистые, неровные или грубые поверхности могут уменьшить тягу и увеличить риск несчастных случаев.
- Не катайтесь на скутере по грязи, льду, лужам или воде.
- Остерегайтесь возможных препятствий, в которые может попасть ваше колесо или, которые могут привести к отклонению или потере управления.
- Избегайте резких ударов, дренажных решеток и неожиданных изменений поверхности.
- Не катайтесь на самокате в во время влажной или снежной погоды и никогда не погружайте самокат в воду, так как электрические компоненты и привод может повредить вода, а также могут возникнуть другие опасные условия.
- Никогда не рискуйте повреждением таких поверхностей, как ковер или настил, используя электрический самокат в помещении.
- Никогда не используйте вблизи ступенек или бассейнов.



### Как кататься на самокате

- **ПРИМЕЧАНИЕ:** Этот электрический самокат должен ехать со скоростью 5 км/ч (3 мили/ч) перед тем, как заведется мотор.
- Не используйте регулятор скорости (дроссель на поворотной ручке) на рукоятке, если самокат не находится в безопасном месте на открытом воздухе, подходящем для катания.
- Всегда держитесь за руль во время езды.
- Не касайтесь тормозов или двигателя в ступице колеса на самокате во время использования или сразу же после катания, так как эти части могут сильно нагреваться.
- Избегайте высоких скоростей, таких как езда с горы, где вы можете потерять управление.
- Не катайтесь ночью или с ограниченным освещением.
- Не пытайтесь и не выполняйте трюки на электрическом самокате. Самокат недостаточно крепок для неправильного использования, такого как прыжки, езда по кромке и другие виды трюков. Гонки, трюки и прочие маневры также увеличивают риск потери управления и могут привести к неуправляемым действиям или реакциям. Все это может привести к серьезным травмам или возможной смерти.
- Никогда не позволяйте нескольким людям кататься на самокате.
- Части тела (например, руки и ноги), волосы, одежда и т. п. не должны соприкасаться с движущимися частями или колесами.
- Во время езды никогда не используйте наушники или мобильный телефон.
- Никогда не катайтесь с другим транспортом.

### Необходимое оснащение для катания, одежда, обувь

- Всегда надевайте необходимое защитное оснащение, такое как утвержденный защитный шлем (с надежно закрепленным подбородочным ремнем), налокотники и наколенники. Наличие шлема может требоваться в соответствии с местным законом или нормами в вашем регионе. Кроме того, рекомендуется рубашка с длинным рукавом, длинные брюки и перчатки.
- Всегда надевайте спортивную обувь (шнурованную обувь с резиновой подошвой), никогда не катайтесь босиком или в сандалиях и всегда завязывайте шнурки, чтобы они не попали в колеса, двигатель и систему привода.

### Использование зарядного устройства

- Никогда не модифицируйте электрическую систему. Изменения могут привести к пожару. Использование неправильного типа батареи или зарядного устройства может привести к взрыву.
- **ПЕРЕД КАЖДЫМ ИСПОЛЬЗОВАНИЕМ:** заряжайте аккумулятор МИНИМУМ 12 часов.
- Выключайте после каждой поездки. Если оставить включенным без использования, батарея может не заряжаться.
- НЕ храните при температуре замерзания или ниже! Температура замерзания может полностью повредить батарею.
- Зарядное устройство, которое поставляется с электрическим самокатом, необходимо регулярно проверять на наличие повреждений шнура, вилки, кожуха и других деталей, и в случае повреждений самокат не нужно заряжать, пока зарядное устройство не будет отремонтировано или заменено.
- Используйте только зарядное устройство, рекомендованное Razor.
- Зарядное устройство – это не игрушка. Зарядное устройство могут использовать только взрослые.
- Не используйте зарядное устройство возле легковоспламеняемых материалов и открытого огня.
- Выключайте зарядное устройство и отключайте его от самоката, если оно не используется.
- Не превышайте время зарядки.
- Всегда отключайте самокат от зарядного устройства перед тем, как протереть его сухой или влажной тканевой салфеткой.

### Ограниченная гарантия:

Эта ограниченная гарантия является единственной гарантией для продукции. Других явно выраженных или подразумеваемых гарантий нет. Производитель гарантирует, что эта продукция не имеет производственных дефектов на протяжении 90 дней с даты покупки. Данная ограниченная гарантия будет аннулирована, если продукция:

- использовалась не для развлечения или катания;
- каким-либо способом изменялась;
- сдавалась в прокат.



**СОДЕРЖИТ ГЕРМЕТИЧНУЮ СВИНЦОВО-КИСЛОТНУЮ АККУМУЛЯТОРНУЮ БАТАРЕЮ. БАТАРЕИ ДОЛЖНЫ ПЕРЕРАБАТЫВАТЬСЯ.**



**FÖREBYGGANDE SÄKERHETSÅTGÄRDER under användning och vid underhåll**  
Föräldrar/målsmän ska läsa denna sida först

**FÖRÄLDRAR/MÅLSMÄN MÅSTE LÄRA SINA BARN HUR DE PÅ ETT SÄKERT SÄTT SKA ANVÄNDA DENNA SPARKCYKEL.**  
Om en åkare inte använder sunt förnuft och beaktar dessa varningar föreligger det en ökad risk för skador, allvarliga personskador och t.o.m. livshotande skador.

**Att åka på en elsparkcykel medför risker.**

- I likhet med andra produkter som man kan åka på, kan det vara farligt att använda en elsparkcykel (till exempel kan man ramla eller köra in i en farlig situation). Elsparkcyklar är självfallet utformade för att åkas på och därför finns det också risk för att en åkare förlorar kontrollen eller på annat sätt hamnar i en farlig situation.
- Både den vuxne som är ansvarig för att övervaka åkningen samt barnet som åker måste vara införstådda med att det föreligger en risk för allvarliga eller livshotande personskador om en olycka inträffar, även om skyddsutrustning använts och andra försiktighetsåtgärder vidtagits.

**SPARKCYKELN ANVÄNDS UNDER EGET ANSVAR OCH MED SUNT FÖRNUFT.**

**Ansvar och uppsikt av förälder eller annan vuxen person krävs.**

Eftersom sparkcyklar kan vara farliga – och inte alla produkter lämpar sig för barn i alla åldrar och storlekar – visas här olika åldersrekommendationer till olika produktkategorier. Dessa rekommendationer är tänkta att spegla farornas karaktär och den förväntade mentala och/eller fysiska förmågan hos barnet för att det ska kunna hantera dessa faror. Föräldrar och målsmän måste välja ut en elsparkcykel som lämpar sig för barnets ålder, samt se till att barn som kanske är för omogna eller oerfarna för produktens karaktär inte kommer till skada.

- Den rekommenderade användaråldern för den elektriska Razor Power Core E100-sparkcykeln är 8 år eller äldre. De användare, även om de är 8 år eller äldre, som inte kan stå bekvämt på sparkcykeln ska inte använda den. En målsman eller förälders beslut om att låta barnet köra på denna produkt bör baseras på barnets mognad, skicklighet och förmåga att följa regler. Förvara denna produkt utom räckhåll för små barn och kom ihåg att den endast är avsedd att användas av personer som kan stå bekvämt på sparkcykeln och som klarar av att använda den på ett ansvarsfullt sätt.
- Maxvikt: 54 kg.
- Personer med nedsatt mental eller fysisk förmåga som gör att de lättare utsätts för personskador eller som försämrar deras fysiska kapacitet eller mentala förmåga att inse, förstå och följa säkerhetsinstruktioner samt att uppfatta riskerna som sparkcykeläkning innebär bör inte, eller ska inte tillåtas, använda produkter som är olämpliga för deras förmågor. Personer med hjärtproblem eller huvud-, rygg- eller nacksmärtor (eller som tidigare har opererat dessa delar av kroppen) eller gravida kvinnor rekommenderas inte att använda dessa produkter.

**Kontrollera sparkcykeln före användning – underhåll den efter användning**

- Innan produkten används ska du kontrollera att alla eventuella skydd finns på plats och är i funktionsdugligt skick, att bromsen fungerar som den ska och att däckan har tillräckligt stort mönsterdjup kvar. Kontrollera att framdäcket har rätt lufttryck och att bakhjulet inte har några plana ytor eller för mycket slitage.
- Efter användning ska sparkcykeln underhållas och repareras enligt tillverkarens specifikationer som finns i denna bruksanvisning. Använd endast tillverkarens godkända reservdelar. Ändra inte något på sparkcykeln från tillverkarens ursprungliga design och utformning.

**Rekommenderade användningssätt och användningsförhållande – Föräldrar/målsmän bör diskutera dessa regler med sina barn.**

**Använd alltid skyddsutrustning. Elsparkcykeln får inte användas i trafiken.**

**Var du ska använda sparkcykeln**

- Ta alltid reda på vilka lokala bestämmelser och lagar som reglerar vilka platser som du får använda din sparkcykel på och följ dessa. Håll dig alltid på säkert avstånd från motordriven fordonstrafik och använd endast sparkcykeln där det är tillåtet och då med försiktighet.
- Kör defensivt. Kör försiktigt och var uppmärksam på fotgängare, rullskridskoåkare, skateboardåkare, andra sparkcykelåkare, cyklisterna samt barn eller djur som kan korsa din väg. Respektera andras egendom och rättigheter.
- Denna elsparkcykel är endast avsedd för användning på plana, torra ytor såsom trottoarer eller jämn mark utan lösa föremål såsom sand, löv, stenar eller grus.
- Våta, hala, gropiga, ojämna och grova underlag kan ge upphov till försämrad friktion och i värsta fall orsaka olyckor.
- Kör inte med sparkcykeln över lera, is eller vatten.
- Se upp för potentiella hinder som kan fastna i sparkcykelns hjul eller tvinga dig att gira plötsligt eller tappa kontrollen.
- Undvik stora gupp, brunnsgaller och andra ojämnheter.
- Använd aldrig sparkcykeln om marken är blöt eller isig. Sänk aldrig ner sparkcykeln i vatten eftersom detta kan skada både de elektriska komponenterna och drivkomponenterna samt medföra andra säkerhetsrisker.
- Kör inte elsparkcykeln inomhus eftersom du riskerar att förstöra golv och mattor.
- Använd aldrig sparkcykeln i närheten av trappor eller simbassänger.

### Så här använder du sparkcykeln

- OBS: Denna elsparkcykel måste färdas i 5 km/h för att motorn ska starta.
- Använd inte hastighetskontrollen (gasreglaget) på handtaget förrän du står på sparkcykeln och befinner dig i en säker utomhusmiljö som är lämplig för sparkcykelkörning.
- Håll alltid i styret medan du kör.
- Vidrör inte bromsarna eller navmotorn på sparkcykeln när sparkcykeln används eller direkt efter körning eftersom dessa delar kan bli mycket varma.
- Undvika höga hastigheter som man kan komma upp i vid åkning nerför backar eftersom detta kan få dig att förlora kontrollen.
- Åk inte när det är mörkt ute eller om sikten på annat vis är begränsad.
- Försök aldrig att göra stunts eller andra trick på din elsparkcykel. Sparkcykeln är inte tillräckligt stark för att klara av felanvändning i form av hopp, trottoarkantskörning (s.k. "curb grinding") eller andra typer av trick. Tävlingsåkning, stuntkörande och andra manövrar ökar också risken att du förlorar kontrollen, eller kan orsaka okontrollerade handlingar och reaktioner. Allt av ovanstående kan leda till allvarliga eller livshotande skador.
- Låt aldrig mer än ett barn köra/använda sparkcykeln samtidigt.
- Låt inte händer, fötter, hår, kroppsdelar, kläder eller liknande komma i kontakt med rörliga delar eller hjulen.
- Använd aldrig hörlurar eller mobiltelefon när du åker på sparkcykeln.
- Åk aldrig efter ett annat fordon genom att hålla fast i det.

### Rekommenderad skyddsutrustning, klädsel och skor

- Ha alltid på dig lämplig skyddsutrustning, t.ex. en godkänd hjälm (spännet ska vara ordentligt knäppt), armbågs- och knäskydd. En hjälm kan krävas enligt gällande lag eller bestämmelser. Dessutom rekommenderas långärmad tröja, långbyxor och handskar.
- Använd alltid gymnastikskor (med snörning och gummisula). Kör aldrig barfota eller i sandalar. Skosnören ska vara ordentligt knutna och hållas borta från hjulen, motorn och drivsystemet.

### Använda laddaren

- Modifiera aldrig det elektriska systemet. Ändringar kan orsaka brand. Användning av fel batterityp eller laddare kan orsaka en explosion.
- FÖRE VARJE ANVÄNDNING: Ladda batteriet i MINST 12 timmar.
- Stäng av sparkcykeln efter varje åktur. Det kan hända att batteriet inte går att ladda om sparkcykeln lämnas på "ON" (PÅ) utan att den används.
- Förvara INTE batteriet i temperaturer under 0 °C! Dessa låga temperaturer skadar batteriet permanent.
- Batteriladdaren som medföljer elsparkcykeln ska regelbundet undersökas för skador på sladd, kontakt och övriga delar. Om en sådan skada upptäcks får sparkcykeln inte laddas förrän laddaren har reparerats eller ersatts med en ny.
- Använd endast en laddare som rekommenderas av Razor.
- Laddaren är ingen leksak. Laddaren ska endast hanteras av vuxna.
- Använd inte laddaren i närheten av lättantändliga material eller en öppen eld.
- När laddaren inte används ska du dra ut den ur eluttaget och koppla bort den från sparkcykeln.
- Ladda inte längre än nödvändigt.
- Koppla alltid ur sparkcykeln från laddaren innan du torkar av den eller rengör med en fuktig trasa.



**INNEHÅLLER ETT FÖRSEGLAT, LÄCKAGEFRITT BLYBATTERI.  
FÖRBRUKADE BATTERIER SKA ÅTERVINNAS.**



**SIKKERHETSFORANSTALTNINGER under bruk samt vedlikehold**  
Foreldre/voksne som har tilsyn med brukeren må lese denne siden først.

**FORELDRE/VOKSNE SOM HAR TILSYN MED BRUKEREN MÅ LÆRE BARNET HVORDAN MAN BRUKER SPARKESYKKELEN PÅ EN TRYGG MÅTE.** Hvis brukeren ikke utviser vanlig, sunn fornuft eller ikke tar hensyn til disse advarslene, er det en økt fare for skade, personskade eller muligvis død.

**Det er en potensiell fare forbundet med bruken av elektriske sparkesykler.**

- Som med alle andre produkter man kan kjøre eller sykle på, kan det være farlig å bruke en elektrisk sparkesykkel (for eksempel hvis man faller av eller havner i en farlig situasjon). Elektriske sparkesykler er selvfølgelig ment til å bevege seg, og derfor er det mulig at brukeren kan miste kontrollen eller på andre måter havne i farlige situasjoner.
- Både barn og voksne som er ansvarlige for å ha tilsyn med brukeren må være oppmerksom på at slike ting kan forekomme, at en bruker kan bli alvorlig skadet eller muligvis omkomme, selv når det brukes beskyttelsesutstyr og man tar andre sikkerhetsforanstaltninger.

**SPARKESYKLER MÅ BRUKES PÅ EGET ANSVAR. BRUK SUNN FORNUFT.**

**Det kreves at foreldre / andre voksne tar ansvar og har tilsyn med brukeren.**

For di sparkesykler kan være farlige – og fordi ikke alle produkter er beregnet på barn i alle aldre eller størrelser – finnes det forskjellige aldersanbefalinger innen denne kategorien av produkter som er ment å vise til farer og den forventede fysiske og mentale evnen (eller begge) et barn må ha for å takle disse farene. Foreldre og voksne som har tilsyn med brukeren, må velge produkter som passer til alderen på barnet som skal bruke den elektriske sparkesykkelen, samt sørge for at barn som ikke er modne nok eller ikke har nok erfaring med et produkt, ikke skader seg i nærheten av det.

- **Anbefalt alder for brukere av Razor Power Core E100 elektrisk sparkesykkel er 8 år eller eldre.** Enhver bruker, selv om de er 8 år eller eldre, som ikke størrelsesmessig passer til sparkesykkelen, må ikke prøve å bruke den. En forelders beslutning om å la barnet bruke sparkesykkelen bør baseres på barnets modenhet, evner og dyktighet. Hold dette produktet borte fra mindre barn, og husk at det kun er ment for personer som (som et minimum) er fullstendig kompetente til å bruke sparkesykkelen.
- **Maks. vekt på bruker er 54 kg.**
- **Personer med mentale eller fysiske forutsetninger som gjør at de lettere kan pådra seg skade eller som forringer den fysiske eller mentale evnen til å gjenkjenne, forstå og følge sikkerhetsinstruksjonene samt å forstå farene forbundet med bruk av sparkesykkelen må ikke bruke eller få lov til å bruke produkter som er uhensiktsmessige i forhold til deres evner. Personer med hjerteproblemer, lidelser i hode, rygg eller nakke (eller som tidligere har fått foretatt operative inngrep på disse stedene på kroppen) og gravide kvinner bør advares mot ikke å bruke slike produkter.**

**Sjekk sparkesykkelen før bruk – vedlikehold den etter bruk**

- Før bruk, må du undersøke at skjerm eller andre deksler er monteret som de skal og at de fungerer, at bremsene fungerer korrekt og at dekk(ene) har tilstrekkelig med slitbane. Kontroller at forhjulet er oppblåst til riktig PSI og at bakhjulet er foruten flate områder eller overdreven slitasje.
- Etter bruk må du vedlikeholde og reparere sparkesykkelen i henhold til produsentens spesifikasjoner i denne veiledningen. Bruk bare reservedeler som er godkjent av produsenten. Ikke utfør endringer på sparkesykkelen som går imot produsentens opprinnelige utforming eller konfigurasjon.

**Akseptabel bruk og akseptable forhold – foreldre/voksne må diskutere disse reglene med barna.**

**Det bør brukes beskyttelsesutstyr. Må ikke brukes på trafikkerte steder.**

**Hvor kan man bruke sparkesykkelen?**

- Sjekk og overhold alltid lokale lover og forskrifter som kan ha innvirkning på de stedene der den elektriske sparkesykkelen kan brukes. Hold deg alltid i god avstand fra biler og andre motorkjøretøyer, og bruk bare sparkesykkelen der du har fått lov til å bruke den. Bruk den med stor forsiktighet.
- Kjør forsiktig. Unngå å komme på kollisjonskurs med gående og folk på ruller, sparkesykler og sykler. Vær spesielt oppmerksom på barn og dyr som kan komme ut foran deg. Respekter andres rettigheter og eiendom.
- Den elektriske sparkesykkelen må kun brukes på flate, tørre overflater, slik som fortau eller en jevn flate hvor det ikke finnes sand, løv, grus eller andre løse elementer.
- Våte, glatte, ujevne og grove overflater kan gi dårligere friksjon og øke faren for ulykker.
- Ikke kjør på sparkesykkelen i gjørme, is, pytter eller vann.
- Se opp for potensielle hindringer som kan komme i veien for hjulene eller gjøre det nødvendig å skrense.
- Unngå skarpe humper, kloakkrister og plutselige endringer i overflaten.
- Bruk aldri sparkesykkelen ved frost eller under våte forhold, og legg aldri sparkesykkelen i vann, da det elektriske systemet og motor delene kan skades av vann eller skape farlige situasjoner.
- Ikke bruk den elektriske sparkesykkelen innendørs, da det kan ødelegge overflater som tepper og gulv.
- Bruk aldri sparkesykkelen i nærheten av trapper eller svømmebassenger.

### Slik bruker du sparkesykkelen

- MERK: Den elektriske sparkesykkelen må ha en fart på minst 5 km/t for at motoren skal kobles inn.
- Ikke vri på akselerasjons håndtaket hvis du ikke står på sparkesykkelen og er på et sikkert og passende sted utendørs. Hold alltid i styret når du bruker sparkesykkelen.
- Ikke kom bort i bremsene eller motoren på sparkesykkelen når den er i bruk eller rett etter bruk, da disse delene kan bli veldig varme.
- Ikke rør bremsene eller navmotoren til sparkesykkelen når den er i bruk eller umiddelbart etter bruk ettersom disse delene kan bli veldig varme.
- Ikke bruk sparkesykkelen om natten eller når sikten er nedsatt.
- Ikke forsøk å utføre stunt eller triks på den elektriske sparkesykkelen. Sparkesykkelen er ikke laget for å tåle utilsiktet bruk eller hard påkjøring som hopping, kante hopp og andre vågestykker. Kappløp, stunt og andre manøvrer øker også faren for at du mister kontrollen, eller det kan forårsake ukontrollerte handlinger eller reaksjoner. Alt dette kan føre til alvorlig skade eller muligvis død.
- La aldri mer enn én person om gangen bruke sparkesykkelen.
- Sørg for at ikke hender, føtter, hår, andre kroppsdelene, klær eller lignende kommer i kontakt med bevegelige deler eller hjulet.
- Bruk aldri hodetelefoner eller mobiltelefoner under kjøring.
- Du må aldri trekkes etter et annet kjøretøy.

### Korrekt utstyr, klær og sko ved bruk av sparkesykkelen

- Bruk alltid beskyttelsesutstyr, slik som godkjent sikkerhetshjelm (med hakeremmen ordentlig festet), albue- og knebeskytter. En hjelm kan være obligatorisk og påkrevd etter lokale lover eller bestemmelser der du bor. I tillegg anbefales det at man bruker langermmet genser, lange bukser og hansker.
- Bruk alltid sko (snøresko med gummissåler), kjør aldri barbert eller i sandaler, og sørg for at skollisene er knyttet og holdes unna hjulene, motoren og styringssystemet.

### Bruk av laderen

- Du må aldri endre på det elektriske systemet. Endringer kan forårsake brann. Bruk av feil type batteri eller lader kan forårsake en eksplosjon.
- FØR HVER BRUK: Lad batteriet i MINST 12 timer.
- Slå av sparkesykkelen etter hver tur. Det kan være at batteriet ikke kan lades hvis sparkesykkelen er på (ON) uten å være i bruk.
- Ikke oppbevar sparkesykkelen på steder med temperaturer under frysepunktet. Kuldegrader kan gjøre permanent skade på batteriet.
- Laderen som følger med den elektriske sparkesykkelen må undersøkes med jevne mellomrom for å avdekke skade på ledningen, kontakten eller andre deler. Hvis du finner slike skader, må du ikke lade sparkesykkelen før laderen er reparert eller byttet ut.
- Bruk bare en lader som anbefales av Razor.
- Laderen er ikke et leketøy. Laderen må bare brukes av en voksen.
- Ikke bruk laderen i nærheten av brennbare materialer eller åpen flamme.
- Trekk laderen ut av kontakten og koble sparkesykkelen fra når den ikke er i bruk.
- Ikke overstig ladetiden.
- Du må alltid koble scooteren fra laderen før den rengjøres med en fuktig klut eller tørkes av.



**INNEHOLDER ET FORSEGLET, LEKKASJEFRI TT BLYBATTERI.  
BATTERIENE MÅ RESIRKULERES.**



### SIKKERHEDSFORANSTALTNINGER under brug og vedligeholdelse Forældre/voksne skal læse denne side inden brug

**FORÆLDRE/VOKSNE SKAL LÆRE BØRN, HVORDAN DE KØRER SIKKERT PÅ LØBEHJULET.** Hvis brugeren ikke benytter sin sunde fornuft og er opmærksom på disse advarsler, er der risiko for beskadigelser, alvorlig tilskadekomst eller død.

#### Det er forbundet med fare at køre på elektrisk løbehjul.

- Et elektrisk løbehjul er som alle andre produkter, man kører på, forbundet med fare (hvis du f.eks. falder af eller kører ind i en farlig situation). Elektriske løbehjul er selvfølgelig beregnet til at være i bevægelse, og det er derfor muligt for brugeren at miste kontrollen eller på anden måde komme i farlige situationer.
- Både børn og de voksne, der er ansvarlige for opsynet med børnene, skal være opmærksomme på, at hvis sådanne situationer opstår, kan brugeren komme alvorligt til skade eller dø, også selvom der benyttes sikkerhedsudstyr, eller der er truffet andre sikkerhedsforanstaltninger.

#### LØBEHJULET BRUGES PÅ EGET ANSVAR. BRUG DIN SUNDE FORNUFT.

#### Opsyn fra en forælder eller en voksen er nødvendigt.

Eftersom løbehjul kan være farlige – og ikke alle produkter er egnet til børn i alle aldre og størrelser – er der forskellige aldersbegrænsninger inden for denne produktkategori, der både afspejler de potentielle farer og de forventede mentale eller fysiske evner eller begge dele, som et barn skal besidde for at kunne klare farlige situationer. De forældre og voksne, der holder opsyn, skal vælge køretøjer, der er egnet til alderen på det barn, der kører på det elektriske løbehjul, og sørge for, at børn, der ikke er gamle nok, eller som ikke kender produktet, ikke kommer til skade med produktet.

- Det elektriske Razor Power Core E100-løbehjul anbefales til børn fra 8 år. Brugere, der er 8 år eller ældre, og som ikke kan stå behageligt på løbehjulet, bør ikke forsøge at køre på det. En forælders beslutning om at lade barnet køre på dette produkt bør baseres på barnets modenhed, evner og formåen. Hold dette produkt væk fra mindreårige børn, og husk, at det kun er beregnet til brug af personer, der som minimum er helt fortlroelige med og i stand til at køre på løbehjulet.
- Brugers maksimale vægt: 54 kg.
- Personer med fysiske eller mentale lidelser, der kan medføre, at disse personer kan blive udsat for skader, eller deres fysiske formåen eller mentale evner nedsættes, så de har vanskeligt ved at opfatte, forstå eller følge sikkerhedsvejledningen samt forstå de risici, der er forbundet med brugen af løbehjul, bør ikke benytte eller få tilladelse til at benytte produkter, der ikke svarer til deres evner. Personer med hjertesygdomme, lidelser i hoved, ryg eller nakke (eller som tidligere er blevet opereret i disse områder) samt gravide bør advares mod at bruge sådanne produkter.

#### Tjek løbehjulet før brug – vedligehold det efter brug

- Inden anvendelse skal det sikres, at samtlige afskærmninger og andre skærme eller værn er på plads og i brugbar stand, at bremsen fungerer korrekt, og at dækkene har tilstrækkelig slidmønster tilbage. Sørg for at forhjulet er pumpet til det korrekte dæktryk og at baghjulet ikke har nogen flade områder eller er meget slidt.
- Efter brug skal du vedligeholde og reparere løbehjulet i overensstemmelse med producentens specifikationer i denne manual. Du må kun benytte producentens autoriserede reservedele. Du må ikke ændre dette løbehjul i forhold til producentens originale design og indstilling.

**Acceptabel brug og acceptable forhold – forældre/voksne bør tale med deres børn om disse regler.  
Der skal bæres beskyttelsesudstyr. Må ikke anvendes i trafikken.**

#### Hvor kan barnet bruge løbehjulet?

- Tjek og overhold altid de lokale regler og den lovgivning, som gælder, der hvor det elektriske løbehjul bliver brugt. Hold hele tiden sikker afstand til biler og andre motoriserede køretøjer, og brug kun løbehjulet, hvor det er tilladt. Udvis forsigtighed.
- Kør forsvarligt. Sørg for at undgå fodgængere, skatere, skateboards, løbehjul, cykler, børn eller dyr, som kan komme i vejen for dig. Respektér andres rettigheder og ejendom.
- Det elektriske løbehjul er beregnet til brug på flade, tørre overflader såsom fortover eller jævne flader uden løst underlag såsom sand, blade, sten eller grus.
- Våde, glatte, ujævne eller ru overflader kan svække trækraften og forårsage mulige ulykker.
- Kør ikke på løbehjulet i mudder, på is, i vandpytter eller vand.
- Hold øje med potentielle forhindringer, der kan komme ind i hjulet eller kan forårsage, at du pludselig svinger til siden eller mister kontrollen.
- Undgå store bump, afløbsriste og pludselige ændringer i overfladen.
- Kør ikke på løbehjulet, når det er vådt eller isglat, og lad være med at lægge løbehjulet i vand, da det kan beskadige elektriske dele og andre komponenter eller gøre kørslen usikker.
- Kør ikke indendørs, da man risikerer at beskadige gulvtæpper eller gulve.
- Brug aldrig løbehjulet i nærheden af trapper eller swimmingpools.

### Sådan kan barnet bruge løbehjulet

- BEMÆRK: Det elektriske løbehjul skal køre med 5 km/t, før motoren bliver aktiveret.
- Lad vær med at aktivere hastighedskontrollen (drejeshåndtag) på håndtaget, medmindre du står på løbehjulet, og det foregår i et sikkert udendørsområde, der er beregnet til kørsel.
- Hold hele tiden fast i håndtagene, mens du kører.
- Du må ikke røre ved bremserne eller navmotoren på dit løbehjul under kørslen eller umiddelbart efter fordi disse dele kan blive meget varme.
- Undgå høj hastighed, især i forbindelse med kørsel ned ad bakke, hvor du kan miste kontrollen.
- Lad være med at køre om natten, eller når sigtbarheden er nedsat.
- Lad være med at forsøge at lave stunts og tricks på dit elektriske løbehjul. Løbehjulet er ikke stærkt nok til at tåle forkert brug såsom hop, kørsel på kantsten eller andre former for stunts. Kapløb, stuntkørsel eller lignende aktiviteter øger også risikoen for manglende kontrol eller kan forårsage ukontrollerede bevægelser eller reaktioner fra brugerne. Alle disse situationer kan medføre alvorlig tilskadekomst eller død.
- Lad aldrig mere end én person køre på løbehjulet ad gangen.
- Hænder, fødder, hår, kropsdele, tøj eller lignende artikler må ikke komme i kontakt med bevægelige dele eller hjulene.
- Brug aldrig hovedtelefoner eller mobiltelefon under kørslen.
- Få aldrig et lift med et andet køretøj.

### Korrekt udstyr, tøj og sko, når løbehjulet benyttes

- Bær altid det nødvendige beskyttelsesudstyr, såsom en godkendt hjelm (med hageremmen spændt ordentligt) samt albue- og knæbeskyttere. En hjelm kan være lovbeholdt ifølge lokal lovgivning eller lokale regler. Herudover anbefales en langærmet trøje, lange bukser og handsker.
- Bær altid sko (lukkede sko med gummisåler), kør aldrig i bare tæer eller sandaler, og sørg for, at snørebånd er bundet og ikke kan komme ind i hjulene, motoren eller drivsystemet.

### Sådan bruges opladeren

- Forsøg aldrig at lave om på det elektriske system. Ændringer kan forårsage brand. Brug af forkert type batteri eller oplader kan føre til eksplosion.
- INDEN BRUG HVER GANG: Oplad batteriet MINDST 12 timer før brug.
- Sluk batteriet efter hver tur. Batteriet kan muligvis ikke genoplades, hvis det står på "ON" (tændt), når løbehjulet ikke er i brug.
- Opbevar ALDRIG batteriet ved temperaturer under frysepunktet! Temperaturer under frysepunktet beskadiger batteriet permanent.
- Den batterioplader, der følger med det elektriske løbehjul, skal undersøges jævnligt for skade på ledning, stik eller andre dele. I tilfælde af sådan en skade må løbehjulet ikke oplades, før opladeren er blevet repareret eller udskiftet.
- Brug kun en oplader, der anbefales af Razor.
- Opladeren er ikke legetøj. Opladningen skal foretages af en voksen.
- Opladeren må ikke benyttes i nærheden af brandbare materialer eller åben ild.
- Tag stikket ud af opladeren og løbehjulet, når det ikke er i brug.
- Sørg for at overholde opladningstiden.
- Afbryd altid forbindelsen mellem scooteren og opladeren, inden scooteren tørres af eller rengøres med en fugtig klud.



**INDEHOLDER ET FORSEGLEDE, LÆKAGEFRI BLYSYREBATTERI.  
BATTERIER SKAL GENBRUGES.**



**TURVAOHJEET käytön ja huollon aikana**  
**Vanhempien tai käyttöä valvovien aikuisten tulee lukea tämä sivu ensin.**

**VANHEMPIEN TAI KÄYTTÖÄ VALVOVIEN AIKUISTEN ON OPETETTAVA LAPSILLE POTKULAUDAN TURVALLINEN KÄYTTÖ.**  
**Jos ajaja ei käytä maalaisjärkeä ja noudata näitä varoituksia, vakavan loukkaantumisen tai jopa kuoleman riski kasvaa.**

#### **Sähköpotkulaudan käyttöön sisältyvä vaaroja.**

- Muiden liikkumiseen tarkoitettujen välineiden tapaan myös sähköpotkulaudan käyttäminen voi olla vaarallista (ajaja voi esimerkiksi tippua kyydistä tai ajaa vaaralliseen tilanteeseen). Sähköpotkulaudan on suunniteltu liikkumiseen. Liikkuessa saatetaan menettää laitteen hallinta tai joutua vaarallisiin tilanteisiin.
- Sekä lasten että laitteen käyttöä valvovien aikuisten on tiedostettava, että tällaisissa tapauksissa ajaja voi suojavälineiden käytöstä ja varovaisuudesta huolimatta loukkaantua vakavasti tai jopa kuolla.

#### **KÄYTÄ TUOTETTA OMALLA VASTUULLA JA MAALAIJARJELLÄ.**

**Vaatii vanhempien tai muiden aikuisten valvontaa.**

**Koska potkulautailu voi olla vaarallista – ja kaikki tuotteet eivät sovellu kaikenikäisille ja -kokoisille lapsille – tämän tuoteryhmän tuotteissa on erilaisia ikäsuosituksia. Ne kuvastavat erilaisia riskejä ja lapselta odotettavaa henkistä ja fyysistä kykyä, jotta hän selviytyisi niistä. Vanhempien ja tuotteen käyttöä valvovien aikuisten on valittava lapsen ikään sopivia tuotteita. Heidän on myös huolehdittava, että epäkypsät ja kokemattomat lapset eivät pääse käyttämään ja oleskelemaan liian lähellä tuotetta.**

- **Razor Power Core E100 -sähköpotkulaudata suositellaan vähintään 8-vuotiaalle. Jos lapsi on vähintään 8-vuotias, mutta ei pysty käyttämään potkulautaa mukavasti, hänen ei pitäisi käyttää sitä. Vanhemman tulisi pohjata päättöksensä lapsen potkulautailuvasta tämän kypsyyteen, taitoon ja kykyyn noudattaa ohjeita. Pidä tämä laite poissa pienten lasten ulottuvilta. Muista, että se on tarkoitettu vain ajajille, jotka voivat käyttää sitä mukavasti ja hallitsevat sitä.**
- **Käyttäjän enimmäispaino: 54 kg.**
- **Potkulautaa ei saa antaa henkisesti tai fyysisesti rajoittuneiden henkilöiden käyttöön, jos on syytä epäillä, että nämä tilat altistavat heitä loukkaantumisille tai heikentävät heidän fyysistä taitavuuttaan tai henkisiä kykyjään siten, että he eivät tunnista, ymmärrä ja noudata turvaohjeita, eivätkä ymmärrä potkulautailuun kuuluvia riskejä. Sydänsairautta potevien, pää-, selkä- tai niskavammasta kärsivien tai näiltä alueilta leikatuksi joutuneiden henkilöiden sekä raskaana olevien naisten ei tulisi käyttää tällaisia tuotteita.**

#### **Tarkista potkulautaa ennen käyttöä – Huolla käytön jälkeen**

- **Varmista ennen käyttöä, että kaikki suojat ja muut suojukset ovat paikoillaan ja kunnossa, että jarru toimii oikein ja että renkaissa on riittävästi kulutus pintaa jäljellä. Varmista, että etupöyrän ilmanpaine on oikea ja että takapöyrässä ei ole liitteitä tai liian kuluneita kohtia.**
- **Huolla ja korjaa potkulautaa käytön jälkeen tässä käyttöohjeessa olevien valmistajan ohjeiden mukaisesti. Käytä ainoastaan valmistajan hyväksymiä varoisa. Älä muuntele potkulautaa millään tavalla.**

**Hyväksyttävät ajotavat ja -olosuhteet – Vanhempien/aikuisten tulee keskustella näistä säännöistä lastensa kanssa. Käytettävä suojavarusteita. Ei saa käyttää liikenteessä.**

#### **Potkulaudan käyttäminen**

- **Ota aina selvää paikallisista laeista sekä säädöksistä ja noudata niitä, sillä niissä määrätään sähköpotkulaudan sallitut ajopaikat. Pysy aina etäällä moottoriajoneuvoliikenteestä. Käytä tuotetta varovasti ainoastaan sallituissa paikoissa.**
- **Aja varovaisesti. Varo jalankulkijoita, rullalautailijoita, rullaluistelijoita, potkulautailijoita, polkupyöräilijöitä, lapsia ja eläimiä, jotka voivat tulla tiellesi. Kunnioita muiden oikeuksia ja omaisuutta.**
- **Sähköpotkulautaa on tarkoitettu käytettäväksi tasaisilla ja kuivilla alustoilla, kuten päällystetyllä jalkakäytävällä tai tasaisella maalla, jossa ei ole kiviä, soraa tai roskia.**
- **Märät, liukkaat, epätasaiset ja karkeat alustat voivat heikentää renkaiden pitoa ja aiheuttaa onnettomuuksia.**
- **Älä käytä potkulautaa mudassa, jäällä, lätäköissä tai vedessä.**
- **Tarkkaile mahdollisia esteitä, jotka voivat tarttua pyörään tai aiheuttaa kaatumisen tai hallinnan menettämisen.**
- **Varo jyrkkiä kuoppia, viemäriaukkojen ristikoita ja äkillisiä alustan muutoksia,**
- **Älä aja potkulaudalla märeillä tai jäisellä säällä. Älä upota potkulautaa veteen, sillä vesi voi vaurioittaa sähkö- ja ajolaitteita tai aiheuttaa vaarallisia tilanteita.**
- **Älä käytä sähköpotkulautaa sisätiloissa matoilla tai lattiapäällysteillä, sillä potkulautailu voi vahingoittaa pintoja.**
- **Älä aja portaiden tai uima-altaiden lähellä.**



### Potkulaudan käyttäminen

- HUOMIO: Sähköpotkulaudan nopeuden tulee olla vähintään 5 km/h ennen moottorin kytkeytymistä.
- Älä käytä nopeudensäädintä (kaasukahvaa), ellet aja potkulaudalla turvallisessa ulkotilassa.
- Pidä aina ajon aikana kahvoista kiinni.
- Älä koske skootterin jarruihin tai napamoottoriin käytön aikana tai heti ajon jälkeen, koska nämä osat voivat olla erittäin kuumia.
- Vältä suuria nopeuksia esimerkiksi alamäkeen ajtaessa, sillä voit menettää potkulaudan hallinnan.
- Älä käytä potkulautaa öisin tai jos näkyvyys on heikko.
- Älä yritä tehdä temppejuja sähköpotkulaudalla. Sitä ei ole tehty kestämään esimerkiksi hyppäämistä, reunoilla grindausta tai muita temppejuja. Kilpa-ajo, temppeulu ja muut liikkeet lisäävät hallinnan menettämisen vaaraa tai voivat saada ajajan reagoimaan hallitsemattomasti. Kaikki nämä voivat johtaa vakaavaan loukkaantumiseen tai jopa kuolemaan.
- Potkulaudalla saa ajaa vain yksi henkilö kerrallaan.
- Varo käsien, jalkojen, hiuksien, ruumiinosien, vaatteiden tai muiden vastaavanlaisten esineiden joutumista liikkuviin osiin tai pyöriin.
- Älä koskaan käytä kuulokkeita tai matkapuhelinta ajaessasi.
- Älä koskaan vedä itseäsi ja potkulautasi toisen kulkuneuvon perässä.

### Ajovarusteet, -vaatteet ja -kengät

- Käytä aina suojavarusteita, kuten hyväksyttyä kypärää (jonka leukanauha on kunnolla kiinni) sekä kyynär- ja polvisuojia. Paikallinen laki tai säädös voi velvoittaa käyttämään kypärää. Lisäksi suositellaan pitkähihaisen paidan, pitkien housujen ja käsinneiden käyttämistä.
- Käytä ajamisen aikana aina urheilukenkiä (kumipohjaisia kenkiä, joissa nauhat ovat kengän päällä). Älä ikinä aja paljain jaloin tai sandaaleilla. Pidä kengännauhat sidottuina ja poissa pyöristä, moottorista ja ajojärjestelmästä.

### Laturin käyttäminen

- Älä koskaan tee muutoksia sähköjärjestelmään. Muutokset voivat aiheuttaa tulipalon. Väärän tyyppisen akun tai laturin käyttäminen voi aiheuttaa räjähdyksen.
- ENNEN JOKAISTA KÄYTTÖÄ: Lataa akku VÄHINTÄÄN 12 tuntia.
- Ota pois päältä jokaisen käyttökerran jälkeen. Akku ei välttämättä lataudu, jos sitä ei käytetä ja se on jätetty ON (päällä) -asentoon.
- Älä säilytä akku pakkasessa. Pakkanen vahingoittaa akku pysyvästi.
- Sähköpotkulaudan mukana tuleva laturi on tarkistettava säännöllisesti johdon, pistokkeen, kotelon ja muiden osien vaurioitumisen varalta. Jos tällaisia vaurioita on havaittavissa, potkulautaa ei saa ladata, ennen kuin laturi on korjattu tai vaihdettu.
- Käytä ainoastaan Razorin suosittelemaa laturia.
- Laturi ei ole leikkikalu. Laturin käyttäminen on aikuisen tehtävä.
- Älä käytä laturia helposti syttyvien materiaalien tai avotulen lähellä.
- Kun laturia ei käytetä, irrota se potkulaudasta.
- Älä lataa sähköpotkulautaa liian pitkään.
- Kytke skootteri aina irti laturista ennen sen pyyhkimistä tai puhdistamista kostealla liinalla.



**SISÄLTÄÄ YHDEN SULJETUN, VUOTAMATTOMAN LYIJYAKUN.  
AKUT ON TOIMITETTAVA KIERRÄTYKSEEN.**



**MĂSURI DE SIGURANȚĂ în timpul operării și întreținerii**  
**Părinții/supraveghetorii trebuie să citească această pagină mai întâi**

**PĂRINȚII/SUPRAVEGHETORII TREBUIE SĂ INSTRUIASCĂ COPII DESPRE CUM SĂ UTILIZEZE SCUTERUL ÎN SIGURANȚĂ.**  
**Dacă utilizatorul nu respectă aceste avertismente, există riscul de avarii, accidente sau chiar moarte.**

**Utilizarea unui scuter electric prezintă potențiale riscuri.**

- La fel ca orice alt produs pe roți, un scuter electric poate fi periculos (de exemplu, dacă cădeți sau dacă îl utilizați în situații periculoase). Scuterelor electrice sunt, bineînțeles, produse să se miște și, în consecință, utilizatorul poate pierde controlul și se poate confrunta cu situații periculoase.
- Atât copiii, cât și adulții responsabili cu supravegherea copiilor trebuie să fie conștienți de faptul că, în astfel de situații, utilizatorul se poate răni grav sau poate surveni chiar moartea acestuia, chiar dacă folosește echipament de protecție sau au fost luate alte măsuri de siguranță.

**FOLOȘIȚI SCUTERELE PE PROPRIUL RISC ȘI FOLOȘIȚI-LE CU GRUJĂ.**

**Sunt necesare supraveghere și responsabilitatea din partea părinților și a adulților**

Deoarece scuterul poate fi periculos și nu orice produs este adecvat pentru vârsta sau înălțimea copilului – există diferite recomandări pentru această categorie de produse, în funcție de vârstă, al căror scop este de a reflecta natura pericolului și abilitatea fizică și mentală necesară a copilului pentru a putea evita aceste pericole. Părinții și adulții supraveghetori trebuie să aleagă produse adecvate pentru vârsta copilului care va utiliza scuterul electric și să nu permită copiilor cu vârste prea mici sau care nu sunt suficienți de experimentați să utilizeze produsul.

- **Vârsta recomandată pentru utilizarea scuterului electric Razor Power Core E100 este de minim 8 ani. Un utilizator, chiar dacă are minim 8 ani, nu ar trebui să utilizeze scuterul dacă dimensiunea scuterului nu îi este adecvată. Decizia unui părinte de a permite copilului său să utilizeze scuterul ar trebui să fie bazată pe maturitatea și abilitatea copilului de a respecta regulile. Nu lăsați produsul la îndemâna copiilor mici și rețineți faptul că este destinat utilizării de către persoane cărora le este adecvată dimensiunea scuterului.**
- **Greutatea maximă a utilizatorului este de 54 kg.**
- **Osoby s akýmkoľvek duševným alebo fyzickým stavom, kvôli ktorému možno pripustiť poranenie alebo zhoršenie ich fyzickej obratnosti alebo duševných schopností rozpoznať, pochopiť a dodržiavať bezpečnostné opatrenia a dokázať pochopiť riziká vlastné pre používanie kolobežky, by nemali alebo by mali mať zakázané používať výrobok, ktorý nie je pre ne vhodný na ich stav vhodný. Osoby so srdcovými ťažkosťami, chorobami hlavy, chrbta alebo krku (alebo osoby, ktoré podstupujú operácie týchto častí tela), ako aj tehotné ženy je nutné upozorniť na to, aby takéto výrobky nepoužívali.**

**Verificați scuterul înainte de utilizare – efectuați operații de întreținere după fiecare utilizare**

- Înainte de utilizare, asigurați-vă că toate apărătorile de lanț sau orice acoperitoare de protecție sunt la locul lor și în stare bună, că frâna funcționează corect și pneul nu este prea uzat. Verificați ca anvelopa față să fie umflată la presiunea corectă (PSI) și ca roata din spate să nu prezinte zone plate sau uzură excesivă.
- După utilizare efectuați operații de întreținere și reparații ale scuterului, în conformitate cu specificațiile producătorului cuprinse în acest manual. Utilizați doar piese de schimb autorizate de producător. Nu modificați configurația și proiectarea originale ale acestui scuter.

**Practici și condiții acceptate de utilizare – Părinții/adulții ar trebui să explice copiilor aceste reguli.**

**Purtați echipamentul de protecție atunci când utilizați produsul. A nu se utiliza în trafic.**

**Unde puteți utiliza scuterul**

- Verificați și respectați legislația locală privitoare la locurile în care pot fi utilizate scuterul electric. Feriți-vă de autovehicule și motocicletă și utilizați produsul doar în locurile autorizate și cu grijă.
- Utilizați cu prudență. Evitați pietonii, skateretele, skateboard-urile, scuterul, bicicletele, copiii sau animalele care vă ies în cale. Respectați drepturile și proprietatea celorlalți.
- Scuterul electric este destinat utilizării pe suprafețe netede, uscate precum pavaje, teren nivelat fără grohotiș, precum nisip, frunze, pietre sau prundiș.
- Suprafețele ude, lucioase, neregulate sau accidentate pot reduce tracțiunea și crește riscul de accidente.
- Nu utilizați scuterul pe nămol, gheață, pe suprafețe cu bălți sau apă.
- Atenție la posibilele obstacole în care puteți prinde roata scuterului sau care vă pot forța să vă răsturnați sau să pierdeți controlul.
- Evitați protuberanțele ascuțite, grilajele canalelor și schimbările bruște de suprafață.
- Nu utilizați scuterul pe vreme ploioasă sau pe timp de îngheț și nu scufundați scuterul în apă, deoarece componentele și circuitele electrice pot suferi avarii provocate de apă sau pot crea condiții nesigure.
- Nu utilizați scuterul electric în casă deoarece puteți deteriora suprafețe precum covoare sau podele.
- Nu utilizați scuterul în apropierea scârilor sau a piscinelor.

### Cum să utilizați scuterul

- NOTĂ: Acest scuter electric trebuie să se deplaseze cu 5 km/h (3mph) înainte de pornirea motorului.
- Nu utilizați controlul pentru viteză (dispozitivul de prindere regulator) de pe mâner decât atunci când v-ați urcat pe scuter și vă aflați afară, într-un mediu adecvat pentru a utiliza produsul.
- Țineți-vă în permanență de mânăre atunci când folosiți produsul.
- Nu atingeți frânele sau roata electrică a scuterului în timpul folosirii sau imediat după folosire deoarece acestea se pot încălzi foarte tare.
- Evitați să mergeți cu viteză, ca de exemplu, atunci când coborâți un deal, deoarece puteți pierde controlul.
- Nu utilizați produsul noaptea sau în condiții de vizibilitate redusă.
- Nu încercați să efectuați scheme sau manevre cu scuterul. Scuterul nu este suficient de puternic să reziste la utilizare incorectă, cum ar fi, sărituri, trecerea peste borduri sau orice alt tip de scheme. Cursele, schemele sau alt gen de manevre duc la creșterea riscului de a pierde controlul sau pot cauza reacții sau acțiuni necontrolate din partea utilizatorului. Toate acestea pot rezulta în accidente grave sau chiar moarte.
- Nu permiteți utilizarea scuterului de către mai mult de o persoană o dată.
- Evitați contactul mâinilor, picioarelor, părului, corpului, hainelor sau articolelor textile similare cu piesele mobile sau cu roțile.
- Nu utilizați căști sau telefoane mobile atunci când utilizați produsul.
- Nu vă luați la întrecere cu un alt vehicul.

### Încălțăminte, haine și echipament adecvate pentru utilizare

- Purtați întotdeauna echipament de protecție corespunzător, precum cască de siguranță aprobată (asigurând bine cureaua sub bărbie), cotiere și genunchere. Este posibil ca purtarea căștii de protecție să fie prevăzută de legislația locală. În plus, este recomandat să purtați bluză cu mânecă lungă, pantaloni lungi și mănuși.
- Purtați întotdeauna pantofi sport (pantofi cu șiret și talpă din cauciuc), nu utilizați produsul cu tălpile goale sau în sandale și evitați contactul șireturilor cu roțile, motorul și sistemul de acționare.

### Utilizare încărcătorului

- Nu modificați niciodată sistemul electric. Aceste modificări pot cauza incendii. Utilizarea unui tip de acumulator sau încărcător necorespunzător poate cauza o explozie.
- ÎNAINTEA FIECĂREI UTILIZĂRI: Încărcați bateria CU CEL PUȚIN 12 ore înainte de utilizare.
- Stingeți bateria după fiecare utilizare. Este posibil ca bateria să nu se poată încărca dacă este lăsată aprinsă fără a fi utilizată.
- NU depozitați la temperaturi scăzute sau de îngheț! Înghețul va deteriora permanent bateria.
- Încărcătorul furnizat împreună cu scuterul electric trebuie să fie inspectat cu regularitate pentru a se evita deteriorarea cablului, a ștecărilor, a carcasei sau a altor părți. În cazul unor astfel de defecțiuni, nu încărcați scuterul până la repararea sau înlocuirea încărcătorului.
- Utilizați doar încărcătorul recomandat de Razor.
- Încărcătorul nu este o jucărie. Acesta trebuie utilizat de către un adult.
- Nu utilizați încărcătorul în apropiere de materiale inflamabile sau de foc deschis.
- Scoateți încărcătorul din priză sau deconectați-l de la scuter atunci când nu îl folosiți.
- Nu depășiți timpul de încărcare.
- Întotdeauna deconectați scuterul de la încărcător înainte de a-l șterge sau curăța cu ajutorul lichidelor.

### Garanție limitată:

- Garanția limitată este singurul tip de garanție pentru acest produs. Nu există niciun alt fel de garanție explicită sau implicită. Producătorul garantează faptul că acest produs nu conține defecte de fabricație pe o perioadă de 90 de zile de la data achiziției. Această garanție limitată va deveni nulă în cazul în care produsul:
- este utilizat în alte scopuri decât pentru agrement sau transport;
  - suferă orice fel de modificare;
  - este închiriat.



**CONȚINE O BATERIE ACIDĂ CU PLUMB SIGILATĂ.  
BATERIILE TREBUIE RECLIMATE.**



**BEZPEČNOSTNÉ OPATRENIA počas prevádzky a údržby**  
**Rodičia/dospelý dozor by si mali najprv prečítať túto stránku**

**RODIČIA/DOSPELÉ DOZERAJÚCE OSOBY MUSIA DIEŤA NAUČIŤ BEZPEČNEJ JAZDE NA TEJTO KOLOBEŽKE. Ak jazdec prestane využívať štandardný úsudok a prestane dbať na tieto výstrahy, existuje zvýšené riziko poškodenia, vážneho poranenia alebo novej smrti.**

**Jazda na elektrickej kolobežke predstavuje potenciálne riziká.**

- Ako akýkoľvek iný výrobok na jazdenie, aj elektrická kolobežka môže byť nebezpečná (napríklad pád alebo jazda do nebezpečnej situácie). Elektrické kolobežky samozrejme slúžia na pohyb a preto existuje možnosť, že jazdec stratí kontrolu, alebo sa akýmkoľvek iným spôsobom dostane do nebezpečných situácií.
- Deti aj dospelé osoby za nich zodpovedné musia rešpektovať skutočnosť, že ak k takýmto situáciám dôjde, jazdec sa môže vážne poraniť a aj zomrieť, a to aj pri používaní bezpečnostných prostriedkov a dodržiavajúc ďalšie bezpečnostné opatrenia.

**KOLOBEŽKY POUŽÍVATE NA SVOJE VLASTNÉ RIZIKO A VYUŽÍVATE ŠTANDARDNÝ ÚSUDOK.**

**Vyžaduje sa zodpovednosť a dozor rodiča a dospelých osoby**

Pretože kolobežky môžu byť nebezpečné a nie každý výrobok je vhodný pre každý vek alebo veľkosť dieťaťa, v rámci tejto kategórie výrobku nájdete rôzne vekové kategórie, ktoré sú určené na poukázanie na charakter rizík a očakávanú duševnú alebo fyzickú schopnosť (alebo obidve) dieťaťa, aby si v týchto rizikových situáciách dokázalo poradiť. Rodičia a dozerajúce dospelé osoby musia vybrať jazdné výrobky vhodné pre vek dieťaťa, ktoré bude na elektrickej kolobežke jazdiť a zapamätajte si, že sa pokiaľ o to, aby zabránili dieťaťu, ktoré je veľmi malé alebo neskúsené pri porovnaní s charakteristikami výrobku, aby ohrozilo svoju osobu a ostatných.

- **Odporúčajúci vek jazdca na elektrickej kolobežke Razor Power Core E100 je minimálne 8 rokov. Ktorýkoľvek jazdec, hoci aj starší ako 8 rokov, ktorý nedokáže postačujúcim spôsobom používať kolobežku, by sa nemal pokúšať na nej jazdiť. Rozhodnutie rodiča ohľadne povolenia dieťaťu jazdiť na tomto výrobku by malo byť založené na zrelosti dieťaťa, skúsenostiach a schopnosti dodržiavať pravidlá. Tento výrobok uschovajte mimo dosahu malých detí a zapamätajte si, že je určený len na používanie osobami, ktoré sú minimálne úplne schopné a zodpovedné na používanie kolobežky.**
- **Maximálna hmotnosť jazdca je 54 kg.**
- **Osoby s akýmkoľvek duševným alebo fyzickým stavom, kvôli ktorému možno pripustiť poranenie alebo zhoršenie ich fyzickej obratnosti alebo duševných schopností rozpoznať, pochopiť a dodržiavať bezpečnostné opatrenia a dokázať pochopiť riziká vlastné pre používanie kolobežky, by nemali alebo by mali mať zakázané používať výrobok, ktorý nie je pre ne vzhľadom na ich stav vhodný. Osoby so srdcovými ťažkosťami, chorobami hlavy, chrbta alebo krku (alebo osoby, ktoré podstúpili operácie týchto častí tela), ako aj tehotné ženy je nutné upozorniť na to, aby takéto výrobky nepoužívali.**

**Pred použitím kolobežku skontrolujte – po použití vykonajte údržbu**

- Pred použitím sa presvedčte, že každý a všetky kryty alebo chrániče sú na svojom mieste a sú vo funkčnom stave, že brzda funguje správne a že pneumatiky majú postačujúcu hrúbku dezénu. Skontrolujte, že predná pneumatika je nahustená na správnu hodnotu PSI a že zadné koleso nevykazuje žiadne ploché miesta či nadmerné opotrebovanie.
- Po použití vykonajte údržbu a opravy kolobežky v zmysle špecifikácií výrobcu, ktoré sú uvedené v tomto návode. Používajte iba náhradné súčiastky autorizované výrobcu. Túto kolobežku neupravujte tak, aby ste zmenili originálny dizajn a konfiguráciu výrobcu.

**Prijateľné jazdné praktiky a podmienky – rodičia/dospelé osoby by mali tieto pravidlá prediskutovať so svojimi deťmi. Mali by sa používať ochranné prostriedky. Nesmie sa používať v rámci premávky.**

**Kde jazdiť na kolobežke**

- Vždy si pozrite a dodržiavajte miestne zákony a nariadenia, ktoré môžu mať vplyv na miesta, kde sa môže elektrická kolobežka používať. Vždy jazdite v bezpečnej vzdialenosti od automobilovej dopravy a motorových vozidiel, používajte len na miestach, kde je to dovolené a pritom dávajte pozor.
- Jazdite defenzívne. Dávajte pozor a vyhýbajte sa chodcom, korčuľiarom, skejtbordistom, jazdcom na kolobežkách, cyklistom, deťom alebo zvieratám, ktoré môžu vstúpiť do vašej trasy. Rešpektujte práva a majetok ostatných.
- Elektrická kolobežka je určená na použitie na rovných, suchých povrchoch, ako je dláždená plocha alebo rovná zem bez voľných úlomkov, ako je piesok, lístie, kamene alebo štrk.
- Mokré, šmyklivé, hrboľaté, nerovné alebo drsné povrchy môžu znížiť trakciu a zvýšiť riziko nehôd.
- Svojou kolobežkou nejazdite po blate, ľade, mlákach alebo vode.
- Dávajte pozor na potenciálne prekážky, ktoré by sa mohli zachytiť kolesom alebo vás prinútiť náhle uhnúť alebo stratiť kontrolu.
- Vyhnete sa ostrým hrboľom, drenážnym mriežkam a náhlým zmenám povrchu.
- Kolobežkou nejazdite počas mokrého alebo mrazivého počasia a kolobežku nikdy neponárajte do vody, pretože elektrické a hnacie prvky by sa mohli poškodiť, alebo by dôsledkom mohol byť vznik nebezpečných podmienok.
- Používaním elektrickej kolobežky v interiéri nikdy neriskujete poškodenie povrchov, ako sú koberec alebo podlahové krytiny.
- Nikdy nepoužívajte v blízkosti schodov alebo plaveckých bazénov.

### Kde jazdiť na kolobežke

- **POZNÁMKA:** Skôr, ako sa zaradí motor, musí ísť kolobežka rýchlosťou 5 km/h (3 míle/h).
- Nepoužívajte ovládač rýchlosti (škrtiaca klapka otočného držiadla) na ručnom držiadle, kým nie ste na kolobežke v bezpečnom exteriérovom prostredí vhodnom na jazdenie.
- Počas jazdy vždy držte riadidlá.
- Brzd ani nábojového motora svojej kolobežky sa nedotýkajte počas používania ani okamžite po jazde, pretože tieto diely môžu byť veľmi horúce.
- Vyhnite sa vysokým rýchlostiam, ako je to v prípade jász dolu kopcom, kde môžete stratiť kontrolu.
- Nejazdite v noci ani za obmedzenej viditeľnosti.
- Na svojej kolobežke sa nepokúšajte stvárať kaskadérské kúsky ani triky. Kolobežka nie je dost silná na to, aby vydržala nesprávne použitie alebo zlé zaobchádzanie, ako je skákanie, šmykanie na obrubníkoch alebo podobné typy kaskadérskych kúskov. Pretekanie, kaskadérské jazdenie alebo iné manévry taktiež zvyšujú riziko straty kontroly alebo môžu spôsobiť nekontrolované akcie a reakcie jazdca. Všetky z uvedených skutočností by mohli mať za následok vážne poranenie alebo možnú smrť.
- Nikdy nedovoľte, aby na kolobežke naraz jazdila viac ako jedna osoba.
- Zabraňte, aby ruky, nohy, vlasy, časti tela, odev alebo podobné predmety prišli do kontaktu s pohyblivými dielmi alebo kolesami.
- Počas jazdy nikdy nepoužívajte slúchadlá ani mobilný telefón.
- Nikdy nejazdite v závese za iným vozidlom.

### Správne prostriedky, odev a obuv na jazdu

- Vždy používajte správne ochranné prostriedky, ako je schválená bezpečnostná prilba (s popruhom na bradu správne zaisteným sponou), chrániče na lakte a chrániče na kolená. Použitie prilby môže legislatívne ustanovovať miestny zákon alebo nariadenie vo vašej oblasti. Okrem toho odporúčame používať košeľu s dlhými rukávami, dlhé nohavice a rukavice.
- Vždy používajte atletickú obuv (šnúrovacia obuv s gumenou podrážkou), nikdy nejazdite naboso alebo v sandáloch a šnúrky majte uviazané mimo dosahu kolies, motora a hnacieho systému.

### Používanie nabíjačky

- Nikdy neupravujte elektrický systém. Vykonalie úpravy môže mať za následok vznik požiaru. Použitie nesprávnej batérie alebo nabíjačky môže mať za následok explóziu.
- **PRED KAŽDÝM POUŽITÍM:** nechajte batériu nabíjať počas doby ASPOŇ 12 hodín.
- Po každej jazde vypnite. Ak ponecháte bez používania, batéria sa nebude musieť dať nabiť.
- **NESKLADUJTE** pri teplotách nižších ako je teplota mrazničky! Teploty mrazničky trvalo poškodia batériu.
- Nabíjačku dodávanú s elektrickou kolobežkou by ste mali pravidelne kontrolovať z pohľadu poškodenia kábla, zástrčky, krytu a ostatných dielov, a v prípade takýchto poškodení sa nesmie kolobežka nabíjať až do opravenia alebo výmeny nabíjačky.
- Používajte len nabíjačku, ktorú odporúča Razor.
- Nejde o hračku. Nabíjačku smie obsluhovať len dospelá osoba.
- Nabíjačku nepoužívajte v blízkosti horľavých materiálov alebo otvoreného plameňa.
- Ak nabíjačku nepoužívate, odpojte ju od prívodu elektrickej energie.
- Neprekračujte dobu nabíjania.
- Kolobežku vždy odpojte od nabíjačky pred utieraním alebo čistením pomocou vlhkej tkaniny.

### Obmedzená záruka:

Táto obmedzená záruka sa vzťahuje jedine na tento výrobok. Neexistuje žiadna iná výslovná alebo implicitná záruka.

Výrobca garantuje, že u tohto výrobku sa počas doby 90 dní od dátumu zakúpenia nevyskytnú výrobné chyby.

Platnosť tejto obmedzenej záruky sa skončí, ak bude výrobok:

- používaný iným spôsobom, ako na rekreačné a prepravné účely;
- akýmkoľvek spôsobom upravovaný;
- požičávaný.



**OBSAHUJE JEDNU UTESNENÚ NEVYTEKAJÚCU OLOVENÚ BATÉRIU.  
BATÉRIE SA MUSIA RECYKLOVAŤ.**



**BEZPEČNOSTNÍ POKYNY k provozu a údržbě**  
 Prosíme rodiče/dospělý dozor, aby nejprve prostudovali tuto stránku

**POVINNOSTÍ RODIČŮ/DOHLÍŽEJÍCÍCH DOSPĚLÝCH OSOB JE NAUČIT DĚTI BEZPEČNĚ JEZDIT NA TĚTO KOLOBĚŽCE. Pokud uživatel nebude dodržovat zásady zdravého rozumu a dbát na tato varování, je zde zvýšené riziko vážného zranění, případně i úmrtí.**

**Jízda na elektrické koloběžce s sebou nese možná rizika.**

- Stejně jako u každého jiného dopravního prostředku může být nebezpečná i jízda na elektrické koloběžce (například při pádu nebo výskytu jiných nebezpečných situací). Elektrické koloběžky jsou samozřejmě určeny k pohybu, a proto je možné, že jezdec ztratí kontrolu nebo se jiným způsobem dostane do nebezpečných situací.
- Jak děti, tak dospělí odpovědně za dohled nad nimi si musí uvědomit, že pokud k takovéto situaci dojde, jezdec se může vážně zranit, případně i zemřít, a to i při použití bezpečnostních pomůcek a přijetí dalších bezpečnostních opatření.

**KOLOBĚŽKY POUŽÍVÁTE NA VLASTNÍ RIZIKO, ŘÍDTE SE ZÁSADAMI ZDRAVÉHO ROZUMU.**

**Je nutné zajistit dohled rodičů nebo jiných dospělých osob, které nesou veškerou odpovědnost**

Vzhledem k tomu, že koloběžky mohou být nebezpečné, a ne každý výrobek je vhodný pro dítě jakéhokoliv věku či velikosti - v této kategorii výrobků jsou uvedena různá věková doporučení, které mají odrážet povahu rizika a očekávané duševní nebo fyzické schopnosti dítěte, případně obojí, v zájmu zvládnutí možných rizik. Rodiče a dohlížející dospělé osoby jsou povinny vybrat výrobek vhodný vzhledem k věku dítěte, které bude jezdit na elektrické koloběžce, a zabránit možnému riziku, pokud by koloběžku používalo příliš malé nebo nezkušené dítě a ohrozilo by tím samo sebe nebo své okolí.

- **Doporučený věk** uživatele elektrické koloběžky Razor Power Core E100 je 8 let a více. Jakýkoliv uživatel, byť starší 8 let, který není schopen na koloběžce pohodlně jezdit, by se jí neměl pokoušet používat. Rozhodnutí rodičů umožnit svému dítěti jízdu na tomto výrobku by mělo vycházet z vyspělosti, dovedností a schopnosti dítěte dodržovat pravidla. Udržujte tento výrobek mimo dosah malých dětí a pamatujte, že je určen pro použití pouze osobami, které jsou při ovládnutí koloběžky minimálně ve zcela klidném a způsobilém stavu.
- **Maximální váha** jezce je 54 kg.
- **Osoby s mentálním nebo tělesným postižením**, které by mohlo být příčinou zranění nebo negativně ovlivnit jejich tělesnou zručnost nebo duševní schopnosti rozpoznat, pochopit a dodržovat bezpečnostní pokyny, stejně jako pochopit rizika spojená s použitím koloběžky, nesmí výrobek používat, ani jim to nesmí být povoleno. Osoby se srdečními potížemi, onemocněním hlavy, zad nebo šíje (nebo před operací těchto částí těla), nebo těhotné ženy, by měly být upozorněny, aby tyto výrobky nepoužívaly.

**Kontrola koloběžky před použitím – Údržba po použití**

- Před použitím zkontrolujte nasazení a provozuschopný stav všech krytů a jiných ochranných prvků, dále zkontrolujte správnou funkci brzdy a dostatečný dežer pneumatik. Zkontrolujte, zda je přední pneumatika nahuštěna na správný tlak a zda zadní kolo nevykazuje rovné plošky nebo nadměrné opotřebení.
- Po použití zajistěte údržbu a opravy skútru v souladu se specifikacemi výrobce uvedenými v tomto návodu. Používejte pouze náhradní díly schválené výrobcem. Koloběžku nijak neupravujte v rozporu s původním designem a konfigurací výrobce.

**Přijatelná technika a podmínky jízdy - Rodiče/dospělí jsou povinni své děti seznámit s těmito pravidly.**

**Doporučuje se používat ochranné pomůcky. Není určeno k použití v silničním provozu.**

**Kde jezdit na koloběžce**

- Vždy ověřte a dodržujte místní zákony či předpisy, které se mohou vztahovat na místa, kde se elektrická koloběžka používá. Vždy udržujte bezpečnou vzdálenost od automobilů a silničního provozu a jezděte pouze tam, kde je to povoleno a se zvýšenou opatrností.
- Jezděte opatrně. Dávejte pozor na chodce, bruslaře, skateboardisty, jezdce na koloběžce, kole, děti či zvířata, které vám mohou vstoupit do cesty. Respektujte práva a majetek druhých osob.
- Elektrická koloběžka je určena k používání na plochem a suchém povrchu, např. chodníku nebo rovině bez překážek, např. písku, listí, kamenů či štěrku.
- Mokrý, hladký, hrbolatý, nerovný či drsný povrchy mohou zhoršit trakci a zvýšit riziko nehody.
- Na koloběžce nejezděte v bahně, na náledí, v kalužích nebo ve vodě.
- Dávejte pozor na potenciální překážky, které by se mohly zachytit o kolo nebo vás donutit náhle změnit směr nebo ztratit kontrolu.
- Vyhnete se ostrým hrbolům, roštům kanálů a náhlým změnám povrchu.
- Na koloběžce nejezděte za mokra nebo v ledovém počasí a koloběžku nikdy neponořujte do vody, elektrické a hnací prvky se by mohly vodou poškodit nebo vytvořit jiné pravděpodobné nebezpečné podmínky.
- Nikdy neriskujte poškození povrchů, např. koberce nebo podlahy, používáním elektrické koloběžky v interiéru.
- Nepoužívejte v blízkosti schodů nebo plováren.

### Jak jezdit na koloběžce

- **POZNÁMKA:** Před záběrem motoru musí tato elektrická koloběžka jet rychlostí alespoň 5 km/h.
- Regulační rychlost (plyn v rukojeti) používejte pouze pokud jste na koloběžce a v bezpečném venkovním prostředí vhodném pro jízdu.
- Po celou dobu jízdy se držte řídítka.
- Během použití koloběžky ani ihned poté se nedotýkejte brzd ani motoru v náboji kola, tyto díly mohou být zahřáté na velmi vysokou teplotu.
- Nejezděte vysokou rychlostí, zejména při jízdě ze svahu, kdy může dojít ke ztrátě kontroly.
- Nejezděte v noci nebo za snížené viditelnosti.
- Na elektrické koloběžce se nepokoušejte o akrobatické kousky. Tato koloběžka není dostatečně pevná k tomu, aby odolávala nesprávnému používání skákáním, nájžděním na obrubník nebo jiným typům akrobacie. Riziko ztráty kontroly zvyšuje také závodění, kaskadérství a další manévry, které mohou způsobit nekontrolované jednání či reakce jezdce. Takové chování může mít za následek vážné zranění, případně i úmrtí.
- Na koloběžce nikdy nevozte spolujezdce ani nedovolte, aby na ní jezdila více než jedna osoba.
- Dbejte, aby se do kontaktu s pohyblivými díly nebo koly nedostaly ruce, nohy, vlasy, části těla, oblečení apod.
- Při jízdě nikdy nepoužívejte sluchátka nebo mobilní telefon.
- Nikdy nejezděte zavěšeni za jiným vozidlem.

### Řádné ochranné pomůcky, oděv a obuv

- Vždy noste vhodné ochranné vybavení, např. schválenou ochrannou přilbu (s podbradním řemínkem upevněným přezkou), náloketníky a nákolenníky. Přilba může být ve vaší zemi ze zákona povinná. Kromě toho se doporučuje nosit, košili s dlouhým rukávem, dlouhé nohavice a rukavice.
- Vždy noste sportovní obuv (šněrovací obuv s gumovou podrážkou), nikdy nejezděte na boso nebo v sandálech a tkaničky mějte vždy zavázané a mimo dosah kol, motoru a hnacího systému.

### Používání nabíječky

- Nikdy neprovádějte změny elektrického systému. V případě změny by mohlo dojít k požáru. V případě použití nesprávného typu akumulátoru nebo nabíječky může dojít k výbuchu.
- **PŘED KAŽDÝM POUŽITÍM:** Nabijte baterii po dobu ALESPŮN 12 hodin.
- Vypnout po každé jízdě. Pokud se baterie ponechají zapnuté, i když nejsou používány, mohou ztratit schopnost dobíjení.
- Nikdy neskladujte v mrazu! Teploty pod bodem mrazu způsobí trvalé poškození baterie.
- Pravidelně kontrolujte, zda kabel, konektor, kryt a jiné části nabíječky dodávané spolu s elektrickou koloběžkou nejsou poškozené, a v případě poškození se koloběžka nesmí nabíjet, dokud nabíječka nebude opravena nebo vyměněna.
- Používejte pouze nabíječku doporučenou společností Razor.
- Nabíječka není na hrani. Měla by ji obsluhovat dospělá osoba.
- Nabíječku nezapínejte v blízkosti hořlavých materiálů nebo otevřeného ohně.
- Pokud se nabíječka nepoužívá, vytáhněte ji ze zásuvky.
- Nepřekračujte dobu nabíjení.
- Před otíráním či čištěním vlhkým hadříkem koloběžku vždy odpojte od nabíječky.

### Omezená záruka:

Tato omezená záruka je jedinou zárukou na tento výrobek. Žádná jiná výslovná nebo implicitní záruka neexistuje. Výrobce poskytuje záruku na výrobní vady tohoto výrobku na dobu 90 dnů od data zakoupení.

Tato omezená záruka zaniká v případě:

- použití výrobku pro jiné účely než pro rekreaci nebo dopravu;
- jakýchkoli úprav výrobku;
- pronájmu výrobku.



**OBSAHUJE JEDEN UTĚSNĚNÝ AKUMULÁTOR NA BÁZI OLOVA A KYSELINY. AKUMULÁTOR JE NUTNĚ RECYKLOVAT.**



**МЕРКИ ЗА БЕЗОПАСНОСТ по време на употреба и поддръжка**  
Родители/възрастни, прочетете първо тази страница

**РОДИТЕЛИТЕ/ВЪЗРАСТНИТЕ, ОСЪЩЕСТВЯВАЩИ НАДЗОР, ТРЯБВА ДА НАУЧАТ ДЕЦАТА КАК ДА КАРАТ ТОЗИ СКУТЕР.**  
Ако потребителя не използва здрав разум и не спазва тези предупреждения, това увеличава риска от щети, сериозни наранявания или дори смърт.

**Карането на електрически скутер е свързано с потенциални рискове.**

- ако всеки подобен продукт, електрическият скутер може да бъде опасен (например, можете да паднете или да се озовете в опасна ситуация) Електрическите скутери са, съвсем естествено, създадени да се движат и е възможно потребителят да изгуби управление или да се озове в опасна ситуация.
- Както децата, така и възрастните, които осъществяват надзор над тях, трябва да осъзнават, че ако се случи нещо такова, потребителят може да бъде сериозно наранен или дори да умре, дори и когато използва предпазни средства и предприема други мерки за безопасност.

**ИЗПОЛЗВАЙТЕ СКУТЕРИТЕ НА СВОЙ СОБСТВЕН РИСК И ИЗПОЛЗВАЙТЕ ЗДРАВ РАЗУМ.**

Необходимо е родителите или възрастните, които осъществяват надзор, да бъдат отговорни.

Понеже скутерите могат да бъдат опасни, а и не всеки продукт е подходящ за всяка възраст или ръст деца - за тази категория продукти има различни препоръки в зависимост от възрастта, които отразяват естеството на опасностите и необходимите умствени и физически способности (или и двете) на детето, за да може то да се справи с опасностите. Родителите и възрастните, които упражняват контрол, трябва да избират превозните средства така, че те да бъдат подходящи за възрастта на детето, което ще ползва електрическия скутер, и да не допускат дете, което е не е достатъчно зряло или опитно за конкретен продукт, да го ползва.

- Препоръчителната възраст на потребителя за скутер Razor Power Core E100 е над 8 години. Всеки потребител, дори и на 8 или повече години, който не може да седне удобно на скутера, не трябва да се опитва да го кара. Решението на родителя дали да разреши на детето си да използва този продукт, трябва да вземе предвид възрастта, уменията и способността на детето да спазва правилата. Дръжте продукта далече от малки деца и запомнете, че той е предназначен за употреба само от лица, които най-малкото могат да карат скутера напълно удобно и правилно.
- Максимално тегло на потребителя 54 кг.
- Лица с умствени или физически заболявания, които може да се явят предпоставка за нараняване или да попречат на физическите им умения или физическите способности да разбират и следват инструкциите за безопасност, както и да разбират с какви рискове е свързана употребата на скутера, не трябва да използват и не трябва да им бъде разрешено да използват продукти, които са неподходящи за техните способности. Лица със съществени заболявания и лица, които страдат от болки в главата, гърба или врата (или са претърпели преди това операции на тези части на тялото), както и бременни жени, не трябва да боравят с такива продукти.

**Проверка на скутера преди употреба – поддръжка след употреба**

- Преди употреба проверете дали всички капаци и предпазители са на местата си и дали са в добро състояние, дали спиратката работи и дали грайферът на гумата(ите) не е износен. Уверете се, че предната гума е напомяна до правилното налягане, и че задното колело няма плоски зони и прекомерно износване.
- След употреба, извършете дейностите по поддръжка и ремонт на скутера, съгласно спецификациите на производителя в това ръководство. Използвайте само одобрени от производителя резервни части. Не променяйте скутера от оригиналния дизайн и конфигурация на производителя.

**Приемливи начини на каране и условия – Родителите/възрастните трябва да обсъдят тези правила с децата си.**  
Трябва да бъде носено защитно оборудване. Да не се използва по улиците.

**Къде да се кара скутера**

- Проверете и спазвайте местните закони и разпоредби, които указват къде може да се използва електрическият скутер. Дръжте се през цялото време на безопасно разстояние от автомобили и автомобилния трафик и използвайте скутера само там, където е позволено, като проявявате необходимото внимание.
- Карайте защитно. Внимавайте са избягвате пешеходци, кълъкори, скейтбордисти, скутери, велосипеди, деца или животни, които може да ви излязат на пътя. Уважавайте правата и собствеността на другите.
- Електрическият скутер е предназначен за употреба върху равни, сухи повърхности като пътна настилка или равна земя без пясък, листа, камъни или чакъл.
- Мокри, хлъзгави, неравни или груби повърхности може да намалат сцеплението и да увеличат риска от инциденти.
- Не карайте скутера върху кал, лед, локви или вода.
- Внимавайте за потенциални препятствия, които може да закачат колелото или да ви принудят да завиете рязко, или да изгубите контрол.
- Избягвайте бабуни, капаци на шахти и резки промени на повърхността.
- Не карайте скутера върху мокри или замедени повърхности и никога не го потапяйте във вода, понеже електрическите и задвижващите компоненти може да се повредят от водата или да създадат други потенциално опасни условия.
- Никога не използвайте електрическия скутер на закрито, тъй като рискувате да повредите повърхности като килими или подови настилки.
- Никога не използвайте продукта в близост до стълби или басейни.



**Как да се кара скутера**

- **ЗАБЛЕЖКА:** Този електрически скутер трябва да се движи с 5 км/ч преди да се включи моторът.
- Не използвайте контрола на скоростта (ръкохватката за газта) на кормилото, освен ако вече не сте на скутера и не сте на безопасно място на открито, което е подходящо за каране.
- Дръжте дръжките на кормилото постоянно докато карате.
- Не пипайте спирачките или мотора на скутера по време на употреба или скоро след това, понеже тези части могат да станат много горещи.
- Избягвайте високи скорости, като например при спускане по наклон, при които можете да изгубите управлението.
- Не карайте през нощта или при лоша видимост.
- Не се опитвайте да правите номера или каскади с електрическия скутер. Скутерът не е достатъчно здрав, за да издържи лошо отношение и натоварване като например скачане, триене в тротоара или други подобни. Състезанията, каскадите и други подобни маневри също увеличават риска от изгубване на управлението и може да предизвикат неконтролирани действия или реакции на потребителя. Всички те може да доведат до сериозно нараняване или дори смърт.
- Този продукт никога не трябва да се използва от повече от един човек едновременно.
- Не позволявайте ръце, крака, коса, части на тялото, дрехи или подобни предмети да влязат в контакт с движещи се части или колела.
- Никога не използвайте слушалки или мобилен телефон докато карате.
- Никога не се хващайте за друго превозно средство докато карате.

**Подходяща екипировка, дрехи и обувки**

- Носете винаги подходящо защитно оборудване като одобрена каска (със закопчана каишка под брадата), налакътници и наколенки. Носенето на каска може да е задължително на мястото, където живеете, съгласно местното законодателство. В допълнение, блуза с дълги ръкави, дълъг панталон и ръкавици са препоръчителни.
- Винаги носете спортни обувки (с връзки и гумени подметки), никога не карайте с боси крака или със сандали, като дръжте връзките на обувките си завързани и далече от колелата, мотора и задвижващата система.

**Използване на зарядното**

- Не модифицирайте електрическата система. Промените могат да станат причина за пожар. Употребата на неправилен вид батерия или зарядно може да предизвика експлозия.
- **ПРЕДИ ВСЯКА УПОТРЕБА:** Зареждайте батерията в продължение на ПОНЕ 12 часа.
- Изключвайте след всяка употреба. Ако оставите продукта включен, когато не го използвате, батерията може да не е в състояние да се презареди.
- НЕ съхранявайте при температури около или под нулата! Температурите под нулата ще увредят необратимо батерията.
- Зарядното, което се доставя с електрическия скутер трябва периодично да се проверява за повреди по кабела, щепсела и корпуса, като в случай на такава повреда скутерът не трябва да бъде зареждан докато зарядното не бъде ремонтирано или подменено.
- Използвайте само зарядно, препоръчано от Razor.
- Зарядното не е играчка. С него трябва да работят само възрастни.
- Не работете със зарядното в близост до запалими материали или открит пламък.
- Изключвайте зарядното от електрическата мрежа и от скутера, когато не го използвате.
- Не надвишавайте времето за зареждане.
- Винаги изключвайте скутера от зарядното преди да го бършете или почиствате с влажен парцал.

**Ограничена гаранция:**

Тази ограничена гаранция е единствената гаранция за този продукт. Не съществува друга пряка или косвена гаранция. Производителят гарантира, че този продукт няма да прояви производствени дефекти за период от 90 дни след датата на покупката, на покупката. Тази ограничена гаранция ще бъде невалидна ако продуктът някога е бил:

- използван за цел различна от забавление и транспорт;
- модифициран по какъвто и да било начин;
- даван под наем.



**СЪДЪРЖА ЕДНА ЗАПЕЧАТАНА НЕРАЗЛИВАЕМА ОЛОВНА АКУМУЛАТОРНА БАТЕРИЯ. БАТЕРИИТЕ ТРЯБВА ДА БЪДАТ РЕЦИКЛИРАНИ.**



**Çalıştırma ve bakım süresince GÜVENLİK ÖNLEMLERİ**  
Ebeveynler/yetişkin gözetmenler önce bu sayfayı okumalıdır

**EBEVEYNLER/GÖZETMENLİK YAPAN YETİŞKİNLER ÇOCUKLARA BU SCOOTER'A NASIL GÜVENLİ ŞEKİLDE BİNİLECEĞİNİ ÖĞRETMELİDİRLER.** Eğer binen kişi sağduyusunu kullanamaz ve bu uyarıları dikkate almazsa; artmış hasar, ciddi sakatlanma ya da muhtemel ölüm riski bulunmaktadır.

#### Elektrikli Bir Scooter'a Binmek Potansiyel Riskler Taşır.

- Diğer biniş ürünlerinde olduğu gibi elektrikli bir scooter da tehlikeli olabilir (örneğin düşmek veya tehlikeli bir durumda binmek gibi). Elektrikli scooter, hareket anlamına gelmektedir ve bu yüzden binicinin kontrolünü kaybetmesi veya tehlikeli durumlara düşmesi mümkün olabilmektedir.
- Gerek çocuklar gerekse çocukları gözetim altında tutmaktan sorumlu yetişkinler olsun, böyle bir durumda güvenlik ekipmanı kullanılıyor ve diğer güvenlik önlemleri alınmış olsa bile, binicinin ciddi biçimde sakatlanabileceğinin veya ölebileceğinin bilincinde olmalıdır.

#### SCOOTER'LARI RISKİNİ ÜZERİNİZE ALARAK VE SAĞDUYULU BİR ŞEKİLDE KULLANINIZ.

##### Ebeveyn ve Yetişkin Sorumluluğu ile Gözetimi Gereklemektedir

Scooterlar tehlikeli olabildiğinden ve her ürün her yaşta çocuğa uygun olmadığı için tehlikelerin yapısını ve tehlikelerle mücadelede çocuğun beklenen zihinsel ve fiziksel yeteneğini yansıtan bu ürün kategorisinde farklı yaş tavsiyeleri bulunmaktadır. Ebeveynler ve gözetim tutan yetişkinlerin, elektrikli scooter'a binecek çocuğun yaşına uygun ürünler seçmesi ve çocukların kendilerini tehlikeye atmalarını için ürünün karakteristikleri hakkında olgunlaşmamış ve deneyimsiz olanları engellemeleri gereklidir.

- Razor Power Core E100 elektrikli scooter için tavsiye edilen binme yaşı, 8 yaş ve üstüdür. 8 yaş ve üstünde olan ancak scooter üzerinde rahat biçimde oturamayan çocukların binmesine izin verilmemelidir. Ebeveynin çocuğuna bu ürüne binmesi için izin vermesi çocuğun olgunluğuna, becerisine ve kurallara uyuma yeteneğine bağlıdır. Bu ürünü küçük çocuklardan uzak tutunuz ve scooter'ı çalıştırırken yalnızca tamamen rahat ve yetkin biçimde kullanabilen çocukların binmesi gerektiğini unutmayınız.
- Maksimum sürücü ağırlığı 54 kg'dır.
- Kişileri sakatlanmaya açık hale getiren, güvenlik talimatlarının farkına varmaya, bu talimatları anlama ve uygulama için fiziki veya zihinsel yeteneklerini bozan, scooter'a ilişkin tehlikeleri kavramada herhangi bir zihinsel veya fiziksel engeli bulunan kişilerce ya da yeteneklerine uygun olmayan ürünleri kullanımı izni olmayan kişilerce kullanılmamalıdır. Kalp, baş, sırt ya da boyun hastalıkları (ya da vücudun bu bölgelerine önceden yapılan ameliyatları) olan kişilerin veya hamile kadınların bu türden ürünleri çalıştırmamasına dikkat edilmelidir.

##### Kullanımdan Önce Scooter'ı Kontrol Ediniz – Kullanım Sonrası Bakım

- Kullanmadan önce tüm kapakların veya koruyucuların yerinde ve çalışabilir olduğundan, frenin düzgün biçimde çalıştığından ve tekerlek(ler)in doğru şekilde şişirildiğinden ve yeterli boşluk bulunduğundan emin olunuz. Ön tekerleğin doğru PSI değerinde şişirildiğinden ve arka tekerlekte düz alanlar veya aşırı yıpranma bulunmadığından emin olun.
- Kullanımdan sonra scooter'ı üreticinin bu kılavuzdaki tanımlamalarına uygun şekilde tamir ediniz. Yalnızca üreticinin onayladığı yedek parçaları kullanınız. Bu scooter'ı üreticinin orijinal dizaynı ve konfigürasyonu dışında modifiye etmeyiniz.

##### Kabul Edilebilir Binış Usulleri ve Koşulları.

**Koruyucu Ekipman Giyilmelidir. Trafikte kullanım için değildir.**

##### Scooter'a nerede binilir

- Elektrikli scooter'ın kullanılmaya yerleri etkileyebileceği yerel kanunları daima kontrol ediniz ve bunlara uyunuz. Arabalardan ve motorlu taşıt trafiğinden her zaman uzakta tutunuz ve yalnızca izin verilen yerlerde dikkatli biçimde kullanınız.
- Koruyucu biçimde bininiz. Yoluza çıkabilecek yayalara, patencilere, kaykaylara, scooterlara, bisikletlere, çocuklara veya hayvanlara dikkat ediniz. Diğerlerinin haklarına karşı saygılı olunuz.
- Elektrikli scooter; kum, yapraklar, kayalar ya da çakıl taşları gibi gevşek malzemeler bulunmayan kaldırım ya da düz zemin gibi düzgün, kuru yüzeylerde kullanım için üretilmiştir.
- Islak, kaygan, tümsekli veya pürüzlü yüzeyler çekişi azaltabilir ve böylece kaza riskini arttırabilir.
- Scooter'ınızı çamurda, buzda, su birikintilerinde ya da suda kullanmayınız.
- Tekerleğinize dolanabilecek veya sizi aniden döndürüp kontrolünüzü kaybettirecek olası engellere karşı dikkatli olunuz.
- Keskin tümsekler, drenaj çukurları ve ani yüzey değişimlerinden sakınınız.
- Islak veya buzu havada scooter'ınıza binmeyiniz ve elektrikli ve motor parçaları sudan ötürü hasar görebileceği için scooter'ı asla suya daldırmayınız ve başka güvensiz koşullar yaratmayınız.
- Elektrikli bir scooter'ı iç mekanda kullanıp, halı veya döşeme gibi zarar veren yüzeylerde risk oluşturmayınız.
- Kesinlikle basamakların veya yüzme havuzlarının yanında kullanmayınız.

### Scooter'a nasıl binilir

- NOT: Motor devreye sokulmadan önce elektrikli scooter 5 km/saat (3 mph) hızla ilerliyor olmalıdır.
- Scooter'ın üzerinde ve binişe uygun, güvenli bir dış ortamda değilseniz, el tutamağı üzerindeki hız kontrolünü (helezon kısma valfi) kullanmayınız.
- Binerken daima gidonu tutunuz.
- Aşırı derecede ısınabileceklerinden ötürü, kullanım süresince veya bindikten hemen sonra scooter'ınız üzerinde bulunan frenlere veya göbek motoruna dokunmayınız.
- Kontrolü kaybedebileceğiniz yokuş aşağı binişlerde yüksek hızlardan kaçınız.
- Gece ya da görüşün sınırlı olduğu zamanlarda binmeyiniz.
- Elektrikli scooter'ınız üzerinde akrobasi hareketleri veya numaralar yapmaya kalkışmayınız. Scooter; hatalı kullanım ile zıplama, kaldırım kenarında biniş ve diğer numaralar gibi kötüye kullanımı kaldırabilecek kadar dayanıklı değildir. Yarış, akrobasi biniş ve diğer manevralar da kontrol kaybı riskini arttırır veya kontrol dışı binici eylemleri veya reaksiyonları doğurabilir. Bütün bunlar ciddi sakatlanma ya da ölümlerle sonuçlanabilir.
- Aynı anda birden fazla kişinin scooter'a binmesine kesinlikle izin vermezsiniz.
- Eller, ayaklar, saçlar, vücudun diğer bölümleri, kıyafetler ya da benzer nesnelere; hareketli parçalar ya da tekerleklerle temas etmesine izin vermezsiniz.
- Kesinlikle biniş esnasında kulaklık ya da cep telefonu kullanmayınız.
- Kesinlikle başka bir araca bağlamayınız.

### Uygun biniş ekipmanı, giysiler, ayakkabılar

- Onaylanmış güvenlik kaskı (çene bandı güvenli biçimde tutturulmuş halde), dirseklikler ve dizlikler gibi uygun koruyucu ekipman daima kullanılmalıdır. Bölgenizdeki yerel bir kanun veya yönetmelikle, kask kullanımı yasal bir zorunluluk haline getirilmiş olabilir. Ayrıca uzun kollu bir tişört, uzun pantolon ve eldiven önerilir.
- Daima spor ayakkabı giyiniz (lastik tabanlı ve bağcıklı ayakkabılar), kesinlikle çıplak ayakla veya sandaletle binmeyiniz. Ayakkabı bağcıklarını bağlayınız ve tekerlekler, motor ve tahrik sisteminden uzak tutunuz.

### Şarj cihazının kullanılması

- Elektrik sistemini kesinlikle modifiye etmeyiniz. Değişiklik yapılması sonucunda yangın çıkabilir. Hatalı tipte bir akü ya da şarj cihazının kullanımı patlamaya neden olabilir.
- HER KULLANIMDAN ÖNCE: Aküyü her kullanımdan en az 12 saat önce şarj ediniz.
- Her biniş sonrasında kapatınız. Akü kullanmadan açık bırakılırsa sonradan şarj edilemeyecebilir.
- Donma ya da donma noktasının altındaki sıcaklıklarda muhafaza ETMEYİNİZ! Donma sıcaklıkları aküye kalıcı olarak hasar verir.
- Elektrikli scooter ile sunulan şarj cihazının kablo, fiş, kutu ve diğer aksamı düzenli olarak hasara karşı gözden geçirilmeli ve böyle bir zarar halinde, şarj cihazı tamir edilene ya da değiştirilene kadar scooter şarj edilmemelidir.
- Yalnızca Razor tarafından önerilen şarj cihazını kullanınız.
- Şarj cihazı bir oyuncak değildir. Şarj cihazı yalnızca bir yetişkin tarafından çalıştırılmalıdır.
- Şarj cihazını tutuşabilir malzemeler ya da açık bir ateş kaynağının yakınında çalıştırmayınız.
- Şarj cihazı kullanımda değilken fişten çekiniz ve scooter'dan ayırınız.
- Şarj dolum süresini geçirmeyiniz.
- Aşağıya doğru silmeden ya da sıvıyla temizlemeden önce şarj cihazını daima scooter'dan ayırınız.

### Sınırlı Garanti:

Bu Sınırlı Garanti bu ürüne ilişkin tek garantidir. Başka herhangi bir açık veya zımnı garanti yoktur. Üretici bu ürünü, satın alım tarihinden itibaren 90 gün süreyle üretim hatalarına karşı garantisini altına almaktadır. Bu Sınırlı Garanti şu koşullar altında geçersiz olacaktır, eğer ürün:

- eğlence ya da ulaşımdan başka bir amaçla kullanılmışsa;
- herhangi bir şekilde modifiye edilmişse;
- kiralanmışsa.



**BİR CONTALI VE DÖKÜLMEZ KURŞUN ASİTLİ AKÜ İHTİVA EDER.  
AKÜLERİN GERİ DÖNÜŞÜMÜ SAĞLANMALIDIR.**



**ЗАПОБІЖНІ ЗАСОБИ** під час використання і обслуговування  
Батькам / наглядачам необхідно спочатку прочитати цю сторінку

**БАТЬКИ АБО НАГЛЯДАЧІ ПОВИННІ СПОЧАТКУ НАВЧИТИ ДІТЕЙ БЕЗПЕЧНО КАТАТИСЯ НА САМОКАТІ.** Якщо дитина не буде розсудливою і не звертатиме увагу на ці запобігання, існує підвищений ризик пошкодження, серйозних травм і можливої смерті.

**Їзда на електричному самокаті становить потенційні ризики**

- Як і будь-який інший транспортний засіб, електричний самокат може бути небезпечним (наприклад, падіння або небезпечні ситуації). Звичайно, електричні самокати призначені для пересування, тому їздець може втратити керування або потрапити в іншу небезпечну ситуацію.
- Діти і дорослі, які за ними наглядають, повинні усвідомлювати, що якщо таке станеться, їздець може бути серйозно травмований або навіть померти, навіть якщо використовувати захисне оснащення і дотримуватись запобіжних засобів.

**ВИКОРИСТОВУЙТЕ САМОКАТ НА СВІЙ ВЛАСНИЙ РИЗИК І БУДЬТЕ РОЗСУДЛИВІ.**

**Необхідна відповідальність та нагляд батьків і дорослих**

Оскільки самокати можуть бути небезпечними, і не кожна продукція підходить для будь-якого віку або розміру дитини, для цієї категорії продукції надані рекомендації для різного віку, вони призначені для опису природи ризиків і очікуваних розумових і фізичних здібностей (або того і іншого) дитини, щоб уникнути небезпеки. Батьки і наглядачі повинні обирати транспортну продукцію, що відповідає віку дитини, яке кататиметься на електричному самокаті, і не можна, щоб дуже маленькі або недосвідчені для характеристик продукції діти піддавали себе ризику.

- Електричний самокат Razor Power Core E100 рекомендований для дітей віком від 8 років. Ніхто з користувачів, навіть старше 8 років, не повинен намагатися їздити на самокаті, якщо він відчуває себе на ньому некомфортно. Дозвіл батьків кататися на даній продукції повинен ґрунтуватися на віці дитини, його навичках та здатності дотримуватися правил. Не давайте продукцію маленьким дітям і пам'ятайте, що вона призначена для використання людьми, які, як мінімум, зручно себе відчують під час керування самокатом і знають, як це робити.
- Максимальна вага – 54 кг.
- Люди з розумовими і фізичними особливостями, які роблять їх сприйнятливими до травм або впливають на фізичну здатність керувати або розумову здатність сприймати, розуміти і дотримуватися інструкцій з безпеки і здатність розуміти ризики, пов'язані з використанням самоката, не повинні використовувати або допускати до використання продукції, що не відповідає їх можливостям. Особи з хворобами серця, захворюваннями голови, спини або шиї (або ті, що перенесли операцію на цих частинах тіла) або вагітні жінки не можуть користуватися цією продукцією.

**Перевірте самокат перед використанням – проведіть роботи з обслуговування після використання**

- Перед використанням переконайтеся в тому, що всі кришки або захисні кожухи на місці та справні, що гальмо працює належним чином, а протектор шин не стерся. Переконайтеся в тому, що передня шина накачана до необхідного тиску, а на задньому колесі немає стертих місць або ознак надмірного зношення.
- Після використання проведіть обслуговування і ремонт відповідно до рекомендацій виробника в цій інструкції. Використовуйте лише дозволені виробником запчастини. Не змінюйте первинну конструкцію і конфігурацію цього самоката.

**Допустима практика і умови їзди – батьки/дорослі повинні обговорити ці правила зі своїми дітьми.**

**Необхідно надягати захисне оснащення. Не для використання серед машин.**

**Де кататися на самокаті**

- Завжди перевіряйте і дотримуйтеся місцевих законів або норм, які можуть вплинути на місця використання електричного самоката. Завжди остерігайтеся автомобілів і транспортного руху та використовуйте самокат обережно і в дозволених місцях.
- Слід їздити акуратно. Уникайте пішоходів, ролерів, скейтбордистів, самокатів, мотоциклів, дітей і тварин, які можуть встати у вас на дорозі. Поважайте права і приватну власність тих, хто вас оточує.
- Електричний самокат призначений для використання на рівній сухій поверхні, такий як тротуар або рівний майданчик без таких забруднень, як пісок, листя, каміння або гравій.
- Мокрі, слизькі, вибоїсті, нерівні або грубі поверхні можуть зменшити тягу і збільшити ризик нещасних випадків.
- Не катайтеся на самокаті по бруду, кризі, калюжам або воді.
- Остерігайтеся можливих перешкод, в які може потрапити ваше колесо, або які можуть призвести до відхилення або втрати керування.
- Уникайте різких ударів, дренажних ґрат і несподіваних змін поверхні.
- Не катайтеся на самокаті під час вологої або снігової погоди і ніколи не занурюйте самокат у воду, оскільки електричні компоненти і привід може пошкодитися водою, а також можуть виникнути інші небезпечні умови.
- Ніколи не ризикуйте пошкодженням таких поверхонь, як килим або настил, використовуючи електричний самокат в приміщенні.
- Ніколи не використовуйте поблизу сходів або басейнів.

**Як кататися на самокаті**

- ПРИМІТКА: Цей електричний самокат повинен їхати зі швидкістю 5 км/г (3 милі/г) перед тим, як заведеться мотор.
- Не використовуйте регулювальник швидкості (дросель на поворотній ручці) на рукоятці, якщо самокат не знаходиться в безпечному місці надворі, придатному для катання.
- Завжди тримайтеся за кермо під час їзди.
- Не торкайтеся гальм або двигуна в маточині колеса самоката під час використання або одразу ж після катання, оскільки ці частини можуть сильно нагріватися.
- Уникайте високих швидкостей, таких як їзда з гори, де ви можете втратити керування.
- Не катайтеся вночі або з обмеженим освітленням.
- Не намагайтеся і не виконуйте трюки на електричному самокаті. Самокат недостатньо міцний для неправильного використання, такого як стрибки, їзда по кромці та інші види трюків. Перегони, трюки і інші маневри також збільшують ризик втрати керування і можуть призвести до некерованих дій або реакцій. Все це може привести до серйозних травм або можливої смерті.
- Ніколи не дозволяйте декільком людям кататися на самокаті.
- Частини тіла (наприклад, руки й ноги), волосся, одяг тощо не повинні торкатися рухомих частин або коліс.
- Під час їзди ніколи не використовуйте навушки або мобільний телефон.
- Ніколи не катайтеся з іншим транспортом.

**Необхідне оснащення для катання, одяг, взуття**

- Завжди надівайте необхідне захисне оснащення, таке як затверджений захисний шлем (з надійно закріпленим ременем для підборіддя), налокітники і наколінники. Наявність шлему може бути потрібною відповідно до місцевого закону або норм у вашому регіоні. Крім того, рекомендується сорочка з довгим рукавом, довгі брюки та рукавиці.
- Завжди одягайте спортивне взуття (шнуроване взуття з гумовою підшоивою), ніколи не катайтеся босоніж або в сандалях і завжди зав'яжіть шнурки, щоб вони не потрапили в колеса, двигун і систему приводу.

**Використання зарядного пристрою**

- Ніколи не змінюйте електричну систему. Зміни можуть призвести до пожежі. Використання невірної типу батареї або зарядного пристрою може призвести до вибуху.
- ПЕРЕД КОЖНИМ ВИКОРИСТАННЯМ: заряджайте акумулятор протягом ЩОНАЙМЕНШЕ 12 годин.
- Вимикайте після кожної поїздки. Якщо залишити увімкненим без використання, батарея може не заряджатися.
- НЕ зберігайте при температурі замерзання або нижче! Температура замерзання може повністю пошкодити батарею.
- Зарядний пристрій, який надається з електричним самокатом, необхідно регулярно перевіряти на наявність пошкоджень шнура, вилки, кожуа і інших деталей, і в разі пошкодження самокат не потрібно заряджати, доки зарядний пристрій не буде відремонтований або замінений.
- Використовуйте лише зарядний пристрій, рекомендований Razor.
- Зарядний пристрій – це не іграшка. Зарядний пристрій можуть використовувати лише дорослі.
- Не використовуйте зарядний пристрій біля легкозаймистих матеріалів та відкритого вогню.
- Вимикайте зарядний пристрій і відключайте його від самоката, якщо він не використовується.
- Не перевищуйте час зарядження.
- Завжди відключайте самокат від зарядного пристрою перед тим, як протерти його або очистити за допомогою вологої тканини.

**Обмежена гарантія:**

Ця обмежена гарантія є єдиною гарантією на продукт. Інших явно виражених або уявних гарантій немає. Виробник гарантує, що ця продукція не має виробничих дефектів протягом 90 днів з дати придбання. Дана обмежена гарантія буде анульована, якщо продукція:

- використовувалася не для розваги або катання;
- якимось чином змінювалася;
- здавалася в прокат.



**МІСТИТЬ ГЕРМЕТИЧНУ СВИНЦЕВО-КИСЛОТНУ АКУМУЛЯТОРНУ БАТАРЕЮ.  
БАТАРЕЇ МАЮТЬ ПЕРЕРОБЛЯТИСЯ.**



**사용과 관리에 대한 안전 예방조치**

부모나 보호자들은 반드시 이 안내문을 먼저 읽으십시오.

부모나 보호자들은 어린이들에게 이 스쿠터를 안전하게 타는 것을 가르쳐야 합니다. 만약 사용자가 일반상식에 맞게 행동하지 않고 이러한 경고를 따르지 않을 경우, 손상, 심각한 부상 또는 사망을 초래할 위험이 커질 수 있습니다.

전동 스쿠터를 탈 경우 위험의 소지가 있습니다.

- 여는 타고 다니는 제품들과 마찬가지로 전동 스쿠터는 위험할 수 있습니다.(예: 떨어지거나 위험한 상황으로 운행). 전동 스쿠터는 당연히 움직이게 되어있어 타는 사람이 제어를 잃거나 위험한 상황에 접하게 될 수도 있습니다.
- 어린이와 어린이를 감독할 책임이 있는 보호자들 모두는 이러한 일이 발생할 경우, 보호장비를 사용하고 다른 안전주의를 지켜더라도, 타는 사람이 심각하게 부상을 입거나 심지어 사망할 수도 있음을 인지하여야 합니다.

스쿠터 사용 시 위험을 감수하고 일반상식에 맞게 행동하십시오.

부모와 어른의 책임과 감독이 필요합니다.

스쿠터는 위험하며 또한 모든 제품이 모든 나이 또는 크기의 어린이에게 적합하지는 않으므로, 이 제품의 범주에 한해 각 나이에 적합한 권장안내는 어린이의 위험 대처에 있어 위험의 성격, 요구되는 정신력 혹은 육체적 능력, 또는 둘 다를 반영하였습니다. 부모나 보호자들은 타는 상품의 선택 시 전동 스쿠터를 탈 어린이의 나이에 적합한 제품을 선택하여야 하며, 아주 미숙하거나 제품의 특성을 경험하지 못한 어린이가 그 주위에서 위험에 처하지 않도록 주의하여야 합니다.

- Razor Power Core E100 전기 스쿠터를 사용할 수 있는 권장 연령은 8세 이상입니다. 8세 이상이라도 스쿠터 위에 편하게 탈 수 없는 경우 스쿠터를 타면 안됩니다. 본 상품의 사용에 대한 부모의 허가는 어린이의 성숙함, 기술 및 규칙을 따를 수 있는 능력을 기준으로 해야 합니다. 본 제품은 소아들이 미치지 못하는 곳에 보관하며, 최소한 완전히 편안하고 자신 있게 스쿠터를 운행할 수 있는 사람들만이 사용하도록 고안되었음을 기억하십시오.
- 운전자의 최대 체중: 54킬로그램.
- 부상을 잘 당하거나, 육체적 속달력 장애 또는 인식력, 안전설명서의 이해력, 스쿠터 사용에 따른 위험의 인지 등의 정신적 능력의 장애를 초래할 수 있는 정신적 또는 육체적 상태를 지닌 사람들은 능력에 적합하지 않은 제품들을 사용해서는 안되며 허용되어서도 안됩니다. 심장 장애, 머리, 등 또는 목에 이상 (또는 이 부분들의 수술 전)이 있거나 임신부들은 이와 같은 제품의 작동을 금지하여야 합니다.

스쿠터는 사용 전 점검하시고 사용 후 관리하십시오.

- 사용 전 모든 가드 또는 다른 커버나 가드 등이 제자리에 있으며 사용할 수 있는 컨디션인지 확인하시고, 브레이크가 정상적으로 작동하며 타이어 트레드가 충분히 남아있는지 확인하십시오. 앞 타이어에 정확한 PSI까지 공기가 주입되었는지, 또한 뒷바퀴에 심하게 달거나 평평한 부분이 없는 지 확인하십시오.
- 스쿠터 사용 후, 본 매뉴얼에 있는 제조사의 설명서에 따라 관리와 보수를 하도록 하십시오. 제조사의 허가를 받은 교체용 부품만 사용하십시오. 본 스쿠터 제조사의 원래 디자인과 구성을 개조하지 마십시오.

허용되는 사용법 및 조건 - 부모나 어른들은 어린이들과 함께 본 규정을 상의하여야 합니다.

보호장비는 항상 착용해야 합니다. 차도에서 사용하지 마십시오.

**스쿠터 사용 장소**

- 전동 스쿠터를 사용할 수 있는 장소에 관한 현지 법 또는 규정들을 확인, 따르십시오. 항상 자동차들과 교통차량들로부터 멀리 떨어져 있고 허가된 곳에서만 주의를 하며 사용하십시오.
- 방어적으로 타십시오. 보행자, 스케이트, 스케이트보드, 스쿠터, 자전거를 타는 사람들, 타는 방향으로 오는 어린이 또는 동물들을 피하도록 주의하십시오.
- 전동스쿠터는 보도나 수평지대와 같이 평탄하고 건조하며 오래, 나뭇잎, 암석, 자갈과 같이 널려진 부스러기들이 없는 평면에서 사용하여야 합니다.
- 젖고, 미끄러우며 평탄치 않거나 거친 평면은 견인력을 줄일 수 있으며 사고의 위험을 증가시킬 수 있습니다.
- 스쿠터를 진흙, 얼음, 진흙 또는 물이 있는 곳에서 타지 마십시오.
- 바퀴를 급정거시키거나 또는 갑자기 방향을 바꾸거나 제어를 잃게 할 수 있는 방해물들을 조심하십시오.
- 예리하게 튀어나온 표면, 배수구, 갑작스럽게 바뀌는 표면들을 피하십시오.
- 전기와 구동 부품들은 물에 의해 손상을 입거나 위험한 상황을 초래할 수 있으므로 비가 내리거나 미끄러운 날씨에서는 스쿠터를 타지 말고 철대로 스쿠터를 물에 넣지 마십시오.
- 전동스쿠터를 실내에서 사용하면 카펫이나 마루가 손상될 수 있습니다.
- 계단이나 수영장 근처에서 사용하지 마십시오.

**스쿠터의 사용법**

- 주의: 본 전동스쿠터는 모터가 작동하기 이전에 5 km/h (3 mph)의 속도로 움직여야 합니다.
- 스쿠터 위에 올랐을 때 또한 타기에 안전하고 적합한 실외 환경에 있을 때만 손잡이에 있는 속도 제어기 (트위스트 그립 스로틀)를 사용하십시오.
- 타는 동안은 늘 반듯이 핸들을 잡도록 하십시오.
- 사용 중 또는 타고난 직후에 스쿠터의 브레이크나 허브 모터를 만지지 마십시오. 이 부품들은 매우 뜨거울 수 있습니다.
- 내리막길에서는 제어를 잃을 수 있으므로 속도를 줄이십시오.
- 밤이나 또는 시야에 제한이 있을 때는 타지 마십시오.
- 전동 스쿠터 위에서 스텐트 또는 요기를 시도하지 마십시오. 스쿠터는 점프, 커브 그라이딩 또는 기타 스텐트와 같은 잘못된 사용과 남용에 견딜 수 있을 만큼 강하지 않습니다. 레이스, 스텐트 라이딩 또는 다른 묘기 등은 제어상실의 위험을 증가시키거나 라이더의 억제되지 않은 행동 혹은 반작용을 유발할 수 있습니다. 이러한 모든 행동은 심각한 부상이나 사망을 유발할 수 있습니다.
- 반드시 한 사람만이 스쿠터를 탈 수 있습니다.
- 손, 발, 머리카락, 신체 일부, 옷 등이 움직이는 부품, 또는 바퀴와 접촉하지 않도록 하십시오.
- 타는 동안 절대로 핸드폰이나 셀폰을 사용하지 마십시오.
- 다른 차로 끌지 마십시오.

**적합한 장비, 의복, 신발**

- 승인된 (턱끈이 확실하게 잠긴) 안전헬멧, 팔꿈치 패드, 무릎 패드와 같은 보호장비를 항상 사용하십시오. 헬멧은 지역 현지법에 규정되어 있을 수도 있습니다. 또한, 긴 소매 셔츠, 긴 바지와 장갑을 권장합니다.
- 항상 끈이 있고 바닥이 고무인 운동용 신발을 신으시고 절대로 맨발이나 샌들을 신고 타지 마십시오. 신발 끈은 꼭 매도록 하며 바퀴, 모터, 구동시스템에서 멀리 하도록 하십시오.

**충전기 사용 방법**

- 절대로 전동 시스템을 개조해서는 안됩니다. 개조 시 화재를 유발할 수 있습니다. 잘못된 건전지 또는 충전기를 사용할 경우 폭발을 초래할 수 있습니다.
- 매 사용 전: 최소 12시간 이상 배터리를 충전하십시오.
- 사용 후 항상 끄십시오. 건전지를 사용하지 않을 때 켜 상태 ("ON")로 두면 재충전되지 않을 수도 있습니다.
- 영하의 온도에 보관하지 마십시오! 영하의 온도에 보관하면 배터리가 영구적으로 손상됩니다.
- 전동스쿠터에 포함된 충전기는 수시로 검사하여 코드, 플러그, 엔클로저, 기타 부품에 손상이 있는지 확인하여야 합니다. 이러한 손상이 있을 경우, 충전기가 보수 또는 교체될 때까지 스쿠터를 충전하지 마십시오.
- Razor에서 추천한 충전기만 사용하십시오.
- 이 충전기는 장난감이 아닙니다. 충전기는 어른만이 작동할 수 있습니다.
- 가연성이 있는 물질이나 불길 근처에서 충전기를 작동하지 마십시오.
- 충전기는 사용 하지 않을 시 플러그를 뽑고 스쿠터와 연결을 끊으십시오.
- 충전 시간을 초과하지 마십시오.
- 젖은 천으로 닦고 세척하기 전 반드시 충전기에서 스쿠터의 연결을 끊으십시오.

**한정 보증:**

본 한정보증은 이 상품에 대한 유일한 보증이며, 이외 다른 표현 또는 암시된 보증은 없습니다. 제조업체는 본 제품에 제조상의 결함이 없음을 구매일로부터 90일간 보증합니다. 본 한정보증은 다음과 같은 경우 무효가 됩니다:

- 레크리에이션 또는 운송 이외의 방식으로 사용했을 경우
- 어떠한 방법으로든지 개조된 경우
- 렌트된 경우.



폐배터리 비유출 납축전지 한 개가 포함되어 있습니다. 건전지는 재활용해야 합니다.



### 操作和維護時的安全預防措施 父母/成年監護人請先閱讀本頁

父母/成年監護人須指導子女如何安全使用此滑板車。如果使用者不運用常識，或不注意上述警告，會增加損害、嚴重受傷甚至死亡的風險。

#### 使用電動滑板車的潛在危險

- 和任何騎乘產品一樣，電動滑板車或會帶來危險（如滑落或騎乘時發生危險）。由於電動滑板車為運動類產品，使用者有可能失控或發生危險。
- 兒童和成年監護人須明白，即使採用安全設備並採取其他安全預防措施，使用者仍可能發生嚴重受傷甚至死亡的危險。

使用滑板車請自行承擔風險，並應運用常識。

須於父母和成人負責和監護下使用

由於使用滑板車存在一定的風險，而且並非每款產品均適合每個年齡或體型的兒童使用，故此類產品通常附有建議使用年齡資訊，此等資訊反映危險的性質，以及應對此等危險應具備的智力或體能。父母或成年監護人需為使用電動滑板車的兒童選擇適合其年齡使用的產品，並防止過於年幼或不熟悉產品性能的兒童冒險嘗試。

- Razor Power Core E100 電動滑板車的建議使用年齡為 8 歲或以上。。即便是 8 歲以上的使用者，如果在使用滑板車時感覺不適，均不應嘗試使用。父母須充分考慮子女的心智、技能和遵守規則的能力，以決定是否允許子女使用本產品。將此產品置於年幼兒童無法觸及的地方，並謹記，本產品只適合至少感覺自如和勝任的人士使用。
- 使用者體重上限：54 公斤。
- 因任何智力或身體問題，容易受傷、身體靈活性失調或令智力受到影響而無法意識、明白及遵循安全指引，以及無法明白使用滑板車的潛在風險的人士，不應使用或獲准使用與他們能力不符的產品。患有心臟疾病、頭部、背部或頸部疾病（或之前曾接受此類手術）的人士或孕婦，應避免使用此類產品。

#### 使用前請先檢查滑板車 - 使用後進行日常維護

- 使用前，請檢查任何及所有護罩或其他罩或蓋子是否有移位、能否正常使用、制動功能是否正常，以及剩餘胎面厚度是否足夠。確保前胎已充氣至適當的 PSI，且後胎沒有漏氣或過度磨損。
- 使用後，請根據本手冊中的製造商規格對滑板車進行日常維護及維修。請只使用製造商授權的替換零件。請勿更改此滑板車的原廠設計和規格。

正確的使用方法和條件 - 父母/成年監護人應就這些規則對子女進行指導  
應穿戴防護裝備。請勿在車多的地方使用。

#### 在何處使用滑板車

- 時刻關注和遵守所有本地法律或法例關於電動滑板車的使用位置的規定。時刻警惕汽車和機動車，僅在允許的位置小心使用。
- 騎乘時注意防範附近的行人、溜冰者、滑輪車、滑板車、單車、兒童或動物。尊重他人的權利和財產安全。
- 應在平坦、乾燥、沒有鬆散堆積物（包括泥沙、樹葉、岩石或瓦礫等）的路面（如人行道或平坦路面）上使用電動滑板車。
- 潮濕、光滑、顛簸、不平坦或粗糙的表面或會令附着力減弱，並增加發生事故的風險。
- 請勿於泥濘、結冰、有污水或在水中使用滑板車。
- 小心可能會卡住車輪，或令你突然轉向或失控的潛在障礙物。
- 避免猛烈撞擊、排水道格柵和表面的突然變化。
- 請勿在潮濕或結冰的天氣使用滑板車，切勿將滑板車浸入水中，因為電氣和驅動部件可能被水損壞，或產生其他安全風險。
- 切勿冒險在室內使用電動滑板車，避免損壞沙發或地板等表面。
- 切勿在樓梯或游泳池附近使用。



### 如何使用滑板車

- 註：此電動滑板車必須以 5 km/h (3 mph) 的速度運行方可發動發電機。
- 請勿使用手柄上的速度控制裝置（旋轉手柄節流閥），除非你位於滑板車上，並處於適合騎乘的安全室外環境中。
- 騎乘時請始終握緊把手。
- 使用時或騎乘之後請勿接觸發電機的剎車或車殼摩打裝置，因為這些零件可能溫度極高。
- 在下坡等可能失控的情況下避免高速騎乘。
- 請勿在夜間或能見度較低的情況下騎乘。
- 請勿嘗試使用電動滑板車上進行特技表演或玩特技。滑板車的強度不足以承受誤用和濫用，如跳躍、壓路邊或任何其他類型的特技表演。賽車、特技表演騎乘或其他操作可增加失控風險，或導致騎乘者發生不受控行為或反應。上述行為可導致重傷甚至死亡。
- 滑板車一次只能承載一個人。
- 避免手、腳、頭髮、任何身體部位、衣物或類似物品接觸到運動零件或車輪。
- 騎乘時切勿佩戴耳機或使用手機。
- 切勿依附於其他車輛上騎乘滑板車。

### 正確的騎乘設備、服裝和鞋子

- 時刻佩戴合適的保護裝備如經安全許可的頭盔（扣好下巴扣帶）、肘墊和膝墊。你所在國家的法律或法例可能規定佩戴頭盔。此外，建議穿著長袖衫、長褲並佩戴手套。
- 時刻穿著運動鞋（有橡膠鞋底的系帶鞋），切勿赤腳或穿著涼鞋騎乘，應系緊鞋帶，並遠離車輪、發電機和驅動系統。

### 使用充電器

- 切勿改裝電動系統。改裝或會引致火警。誤用其他類型的蓄電池或充電器或會引致爆炸。
- 每次使用前：電池至少充電 12 小時。
- 每次使用完請關閉電源。電池在不使用時仍處於「開啟」狀態，或無法重新充電。
- 切勿存放於冰冷或低於冰點溫度的環境中！冰點溫度會對電池造成永久性損壞。
- 應經常檢查電動滑板車自帶的充電器，查看電線、插頭、外殼和其他零件是否損壞。如發生損壞，在維修或更換充電器之前切勿為滑板車充電。
- 請只使用 Razor 指定的充電器充電。
- 此充電器並非玩具。充電器應由成人操作。
- 請勿在可燃材料或明火附近使用充電器。
- 不用時請拔掉充電器的插頭並從滑板車上拔除。
- 充電時間不要過長。
- 使用濕布拭擦或清潔前，請確保先將充電器從滑板車上拔除。

### 有限保證：

此有限保證為該產品的唯一擔保。除此之外概無其他任何明示或默示的保證。  
製造商保證本產品自購買之日起 90 天內無製造缺陷。如發生以下情況，該有限保證即告失效：

- 用作非休閒或交通用途；
- 以任何方式進行改裝；
- 出租。



含有一個密封防溢鉛酸蓄電池。  
必須對蓄電池進行回收處理。



### 操作和维护期间安全预防措施 父母/成人监护者请首先阅读本页

父母/成人监护者必须教子女如何安全骑乘该滑板车。如果骑乘者不运用常识，或不注意上述警告，会增加损害、严重受伤甚至死亡危险。

#### 骑乘电动滑板车存在潜在危险

- 和任何骑乘产品一样，电动滑板车存在危险（如：滑落或发生骑乘危险状况）。电动滑板车当然用于移动，因此骑乘者可能失去控制，或陷入危险状况。
- 儿童和负责监护儿童的父母都必须认识到，即便采用安全设备并采取其他安全预防措施，骑车者仍可能发生严重受伤甚至死亡。

骑乘滑板车请自行承担风险，并具备常识。

#### 需要父母和成人负责并监护

由于滑板车存在危险，且并非每种产品适合于每个年龄段或体型的儿童——不同年龄的建议产品请见该产品类别，该类别反映了危险的性质，以及儿童应对危险的预期智力或身体能力。父母或监护成人需要选择适合骑乘电动滑板车儿童年龄段的骑乘产品，并注意防止过于年幼或不熟悉产品特征的儿童冒险尝试。

- Razor Power Core E100 电动滑板车的建议骑乘年龄为 8 岁以上。任何骑乘者即便在 8 岁以上，如果在滑板车上感觉不适，则不应尝试骑乘。父母允许其子女骑乘该产品的决定应基于其子女的发育情况、技能和遵守规格的能力。将该产品放在年幼儿童无法接触到的地方，应记住，在操作滑板车时，只能由至少完全自如并胜任的人员使用。
- 骑手体重上限：54 千克。
- 存在任何智力或身体问题，使其容易受伤，或身体灵活性或智力影响到其认识、理解和遵守安全指南，或影响到理解滑板车中存在危险时，不应使用或被允许使用电动滑板车。

#### 使用前检查滑板车——使用后维护

- 使用前务请确认任何遮盖都处于正确位置和可用状态，制动器功能正常，轮胎的剩余胎面厚度足够。确保前轮胎充气到正确气压、后轮没有磨平或过度磨损。
- 使用后，根据本手册中的制造商规格维护并维修滑板车。仅使用制造商授权的更换零件。不得更改该滑板车的制造商原始设计和结构。

#### 可接受的骑乘惯例和条件——父母/成人应与他们的子女讨论这些规则。

应穿戴防护装备。使用时不得影响道路交通。

#### 在哪里骑乘滑板车

- 务必检查并遵守任何本地法律或法规，这可影响到电动滑板车的使用位置。始终远离汽车和机动车，仅在允许位置小心使用。骑乘时注意防护。注意防止行人、溜冰者、滑轮车、滑板车、自行车、儿童或动物可能与您相撞。尊重他人的权利和财产安全。
- 电动滑板车用在平坦、干燥路面上，如铺砌或平坦路面上，无松动碎片，包括砂子、树叶、岩石或瓦砾等。
- 潮湿、光滑、颠簸、不平坦或粗糙表面可减少附着力，增加发生事故的危险。
- 不得在泥泞、结冰、污水或水中骑乘滑板车。
- 注意可能卡住车轮，或强制您突然转向或失去控制的潜在障碍物。
- 避免突然撞击、排水道格栅和表面的突然变化。
- 不得在潮湿或结冰天气骑乘滑板车，不得将滑板车浸入水中，因为电气和驱动零部件可能被水损坏，或产生其他可能的不安全状态。
- 不得冒险在室内使用电动滑板车，可损坏沙发或地板等表面。
- 不得在楼梯或游泳池附近使用。

### 怎样骑乘滑板车

- 注释：该电动滑板车在电动机结合之前必须以 5 km/h (3 mph) 的速度运动。
- 不得使用手柄上的速度控制装置（旋转手柄节流阀），除非您位于滑板车上，并处于适合骑乘的安全室外环境中。
- 骑乘时始终握紧车把。
- 不要在使用时或刚骑乘后接触滑板车的刹车装置或轮毂电机，因为这些部件会非常烫。
- 在下坡等可能失控的情况下避免高速骑乘。
- 不得在夜间或可见度受限情况下骑乘。
- 不得尝试在您的电动滑板车上进行特技表演或玩特技。滑板车的强度不足以承受误用和滥用，如跳跃、压路边或任何其他类型的特技表演。赛车、特技表演骑乘或其他操作可增加失控危险，或导致骑乘者发生不受控行为或反应。所有这些可导致重伤甚至死亡。
- 一次只允许一个人骑乘滑板车。
- 切勿让手、足、头发、身体部位、衣服或类似物品接触运动部件或车轮。
- 骑乘时不得佩戴耳机或使用手机。
- 不得挂在其他车辆上骑乘。

### 正确的骑乘设备、衣服、鞋子

- 务必佩戴适当的保护设备如经批准的安全头盔（下巴托扣住）、护肘和护膝。您所在位置的本地法律或法规可能要求佩戴头盔。另外，建议穿长袖衫、长裤并戴手套。
- 务必穿运动鞋（系带鞋，橡胶鞋底），不得赤脚或着便鞋骑乘，系紧鞋带，并使其远离车轮、电动机和驱动系统。

### 使用充电器

- 不得更改电动系统。改动可引发火灾。使用错误类型的蓄电池或充电器可导致爆炸。
- 每次使用前：每次使用前至少充电 12 小时，并把轮胎充至正确气压。
- 每次骑乘后关闭电源。如果不使用时开启，可导致蓄电池不能充电。
- 不得存储在冰冻或低于冰冻温度环境中！冰冻温度可导致蓄电池永久损坏。
- 应经常检查电动滑板车自带的充电器，查看导线、插头、外壳和其他零件是否损坏。如发生损坏，在维修或更换充电器之前不得为滑板车充电。
- 仅使用 Razor 推荐的充电器。
- 该充电器非玩具。充电器应由成人操作。
- 不得在可燃材料或明火附近操作充电器。
- 不用时拔掉充电器的插头并将其从滑板车上断开。
- 充电时间不得过长。
- 用湿布拭擦或清洁之前，请务必先将充电器从滑板车上拔除。

### 有限保证：

- 该有限担保为该产品的唯一担保。除此之外不存在其它任何明示或默示的保证。
- 制造商保证，本产品自购买之日起90天内无制造缺陷。该有限保证在产品发生以下情况时无效：
- 用作娱乐或交通以外的其它用途
  - 以任何方式进行改装
  - 出租使用



包含一个密封防溢铅酸蓄电池。  
蓄电池必须回收。

Printed in China for Razor USA LLC.

**EUROPE**

Razor USA LLC (Europe)  
Handelsweg 2  
2742 RD Waddinxveen  
Netherlands

+44 (0) 120 267 2702

**ASIA**

Razor USA LLC (Asia)  
P.O. Box 3610  
Cerritos, CA 90703  
USA

+81 50 7579 6622  
info@razor-asia.com

**AMERICAS**

Razor USA LLC  
P.O. Box 3610  
Cerritos, CA 90703  
USA

+1 866 467 2967  
Monday - Friday  
8:00 AM - 5:00 PM Pacific Time  
customersupport@razorusa.com

**DISTRIBUTED IN THE UK BY:**

Re:creation Limited  
2 Meadows Business Park  
Station Approach, Blackwater  
Camberley, Surrey GU17 9AB  
United Kingdom

+44 (0) 118 973 6222 Tel  
+44 (0) 118 973 6220 Fax  
sales@recreationltd.co.uk

**DISTRIBUTED IN AUSTRALIA BY:**

Funtastic Limited  
Level 2, Tower 2, Chadstone Place  
1341 Dandenong Road  
Chadstone VIC 3148  
Australia

+1 800 244 543  
info@funtastic.com.au

23L\_160712

©Copyright 2003-2016 Razor USA LLC. All rights reserved. Razor® and the Razor logo design are among the registered trademarks of Razor USA LLC and/or its affiliated companies in the United States and/or select foreign countries.



**www.razor.com**